

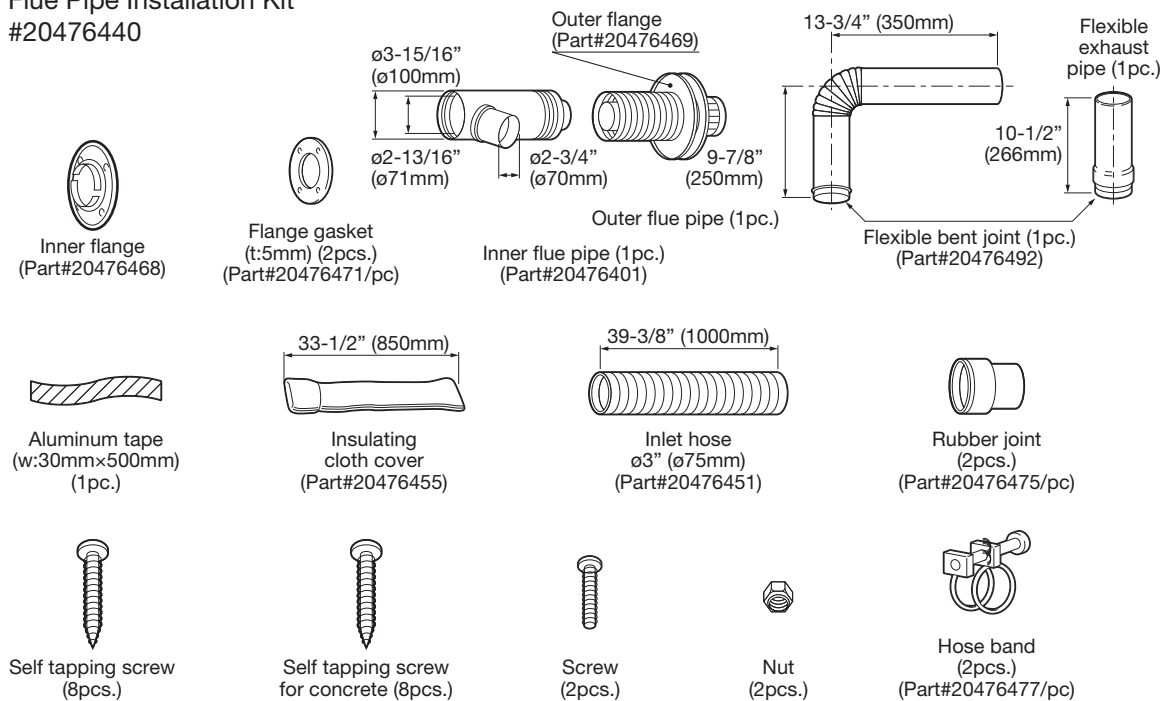
# TOYOTOMI

## WATER HEATER ACCESSORIES

USE ONLY TOYOTOMI GENUINE PARTS AND ACCESSORIES  
ALL PARTS AND ACCESSORIES ARE UL/CSA/ETL LISTED.

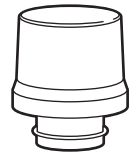
### STANDARD INSTALLATION PARTS

#### Flue Pipe Installation Kit #20476440

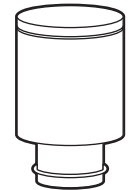


#### Chimney Installation Adapter Kit #20476430 - Dia. 5" #20476415 - Dia. 4"

##### EXHAUST PIPE ADAPTER

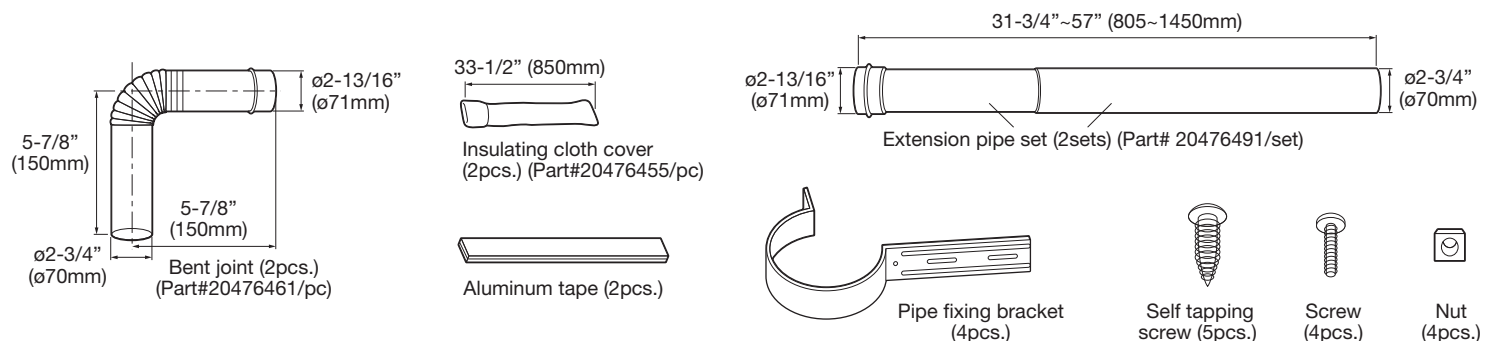


##### INTAKE PIPE TOP



### ACCESSORY PARTS (OPTION)

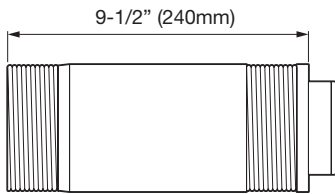
#### Extension Pipe Kit #20476496



**CAUTION:** Total length of the extension pipe between the water heater and the flue pipe must be no greater than 10ft. with a total of three bends.

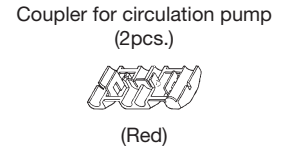
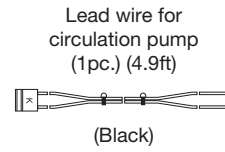
**NOTE:** When using exhaust pipes always cover the exhaust pipe with the insulating cloth cover.

Extension Flue Pipe  
#20476486

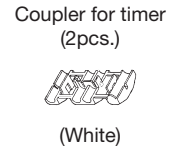
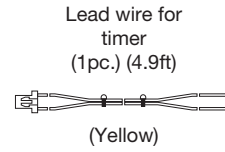


NOTE: This extension fluepipe is for wall thick-ness from 10-5/8 in. (270mm) to 18-1/8in. (460mm).

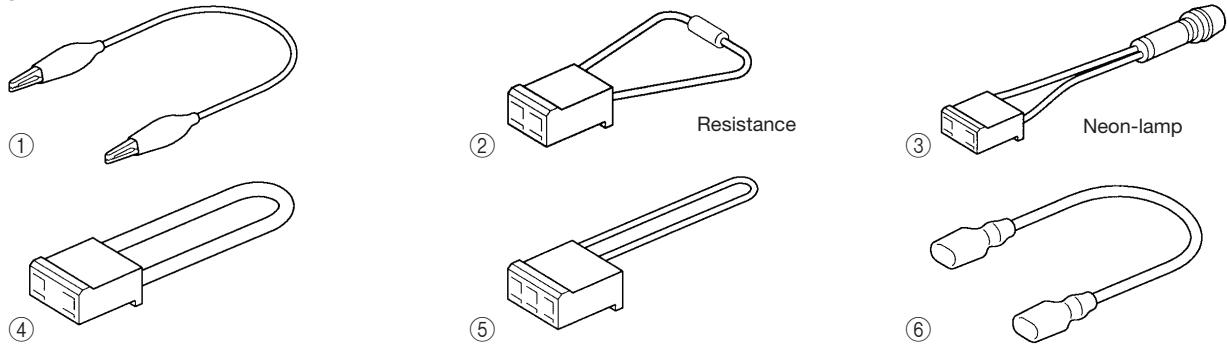
Lead Wire for Circulation Pump (4.9ft) (Black w/couplers)  
#20476996



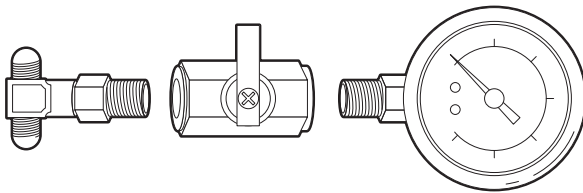
Lead Wire for Timer (4.9ft) (Yellow w/couplers)  
#20476997



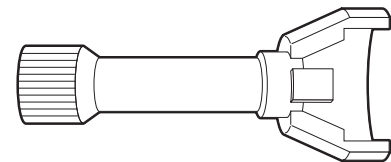
Jumper Terminal Set  
#20476488



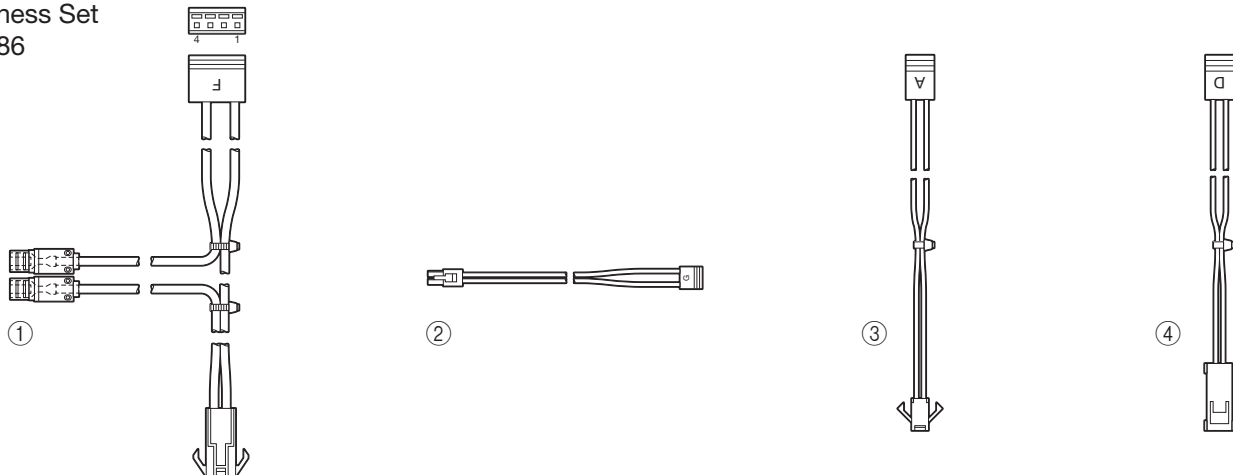
Fuel Pump Pressure Gauge Assembly  
#10005089



Electrode Gap Gauge  
#10005027



Wire Harness Set  
#20476886



**TOYOTOMI U.S.A., INC.**

604, Federal Road, Brookfield, CT 06804  
(203)775-1909

DISTRIBUTOR / DEALER NAME