

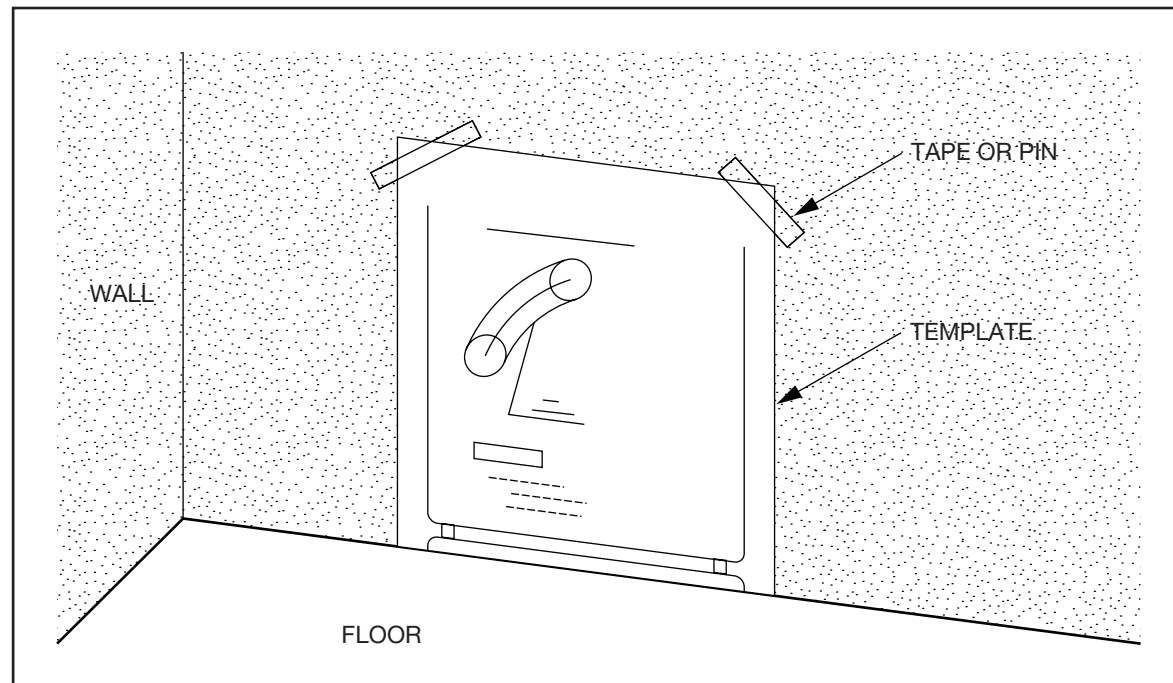
# TEMPLATE FOR STANDARD INSTALLATION

## MODEL Laser 300

READ AND UNDERSTAND "INSTALLATION AND OPERATION INSTRUCTIONS" BEFORE INSTALLATION.

### USE OF TEMPLATE

1. PIN OR TAPE TEMPLATE ON WALL AT DESIRED LOCATION, AS INDICATED BELOW. BOTTOM EDGE OF TEMPLATE SHOULD TOUCH THE FLOOR.
2. USE 2-3/4" to 3" DIAMETER HOLE SAW FOR Laser 300.
3. REFER TO "INSTALLATION AND OPERATION INSTRUCTIONS" FOR COMPLETE INSTRUCTIONS.



### SAFETY TIPS

- \*BEFORE MAKING HOLE IN WALL, MAKE SURE NO ELECTRIC WIRES, GAS PIPES OR OTHER OBSTRUCTIONS ARE PRESENT.
- \*MAKE SURE WALL THICKNESS IS FROM 4" TO 9" FOR Laser 300.
- \*WHEN THE WALL THICKNESS IS MORE THAN 9", USE THE OPTIONAL ACCESSORY.
- \*MAKE SURE TO USE THE GLOVES FOR SAFETY.
- \*MAKE SURE THE OUTSIDE AREA TO WHICH FLUE PIPE WILL BE EXTENDED IS CLEAR OF OBJECTS AS INDICATED BELOW:

