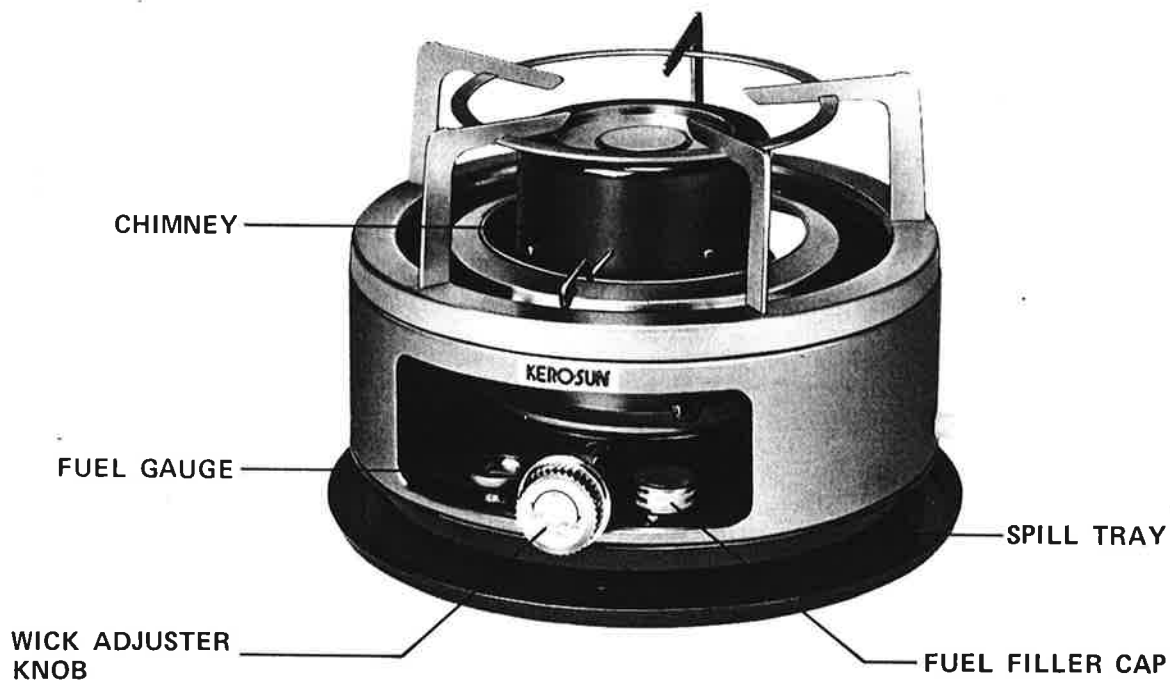


KERO-SUN[®]

DIRECTIONS FOR OPERATING KERO-SUN COOKSTOVE MODEL K



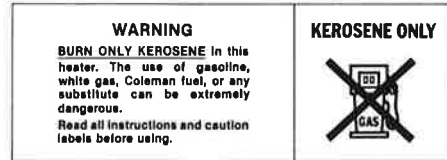
INSPECTION

- 1) Remove the cookstove from the carton, then remove the protective cardboard.
- 2) Inspect to make sure that none of the screws or nuts have become loose during shipment.
- 3) Turn the wick adjuster knob clockwise to insure that the wick moves up and down uniformly and smoothly to a height of 6 mm ($\frac{1}{4}$ inch) above the wick adjuster.
- 4) Check that the fuel tank is fixed to the tray.

FUELING



- 1) Remove the fuel filler cap.
- 2) Place the funnel in the tank inlet.
- 3) After filling the tank, replace the fuel filler cap on the tank inlet. Make sure that it is firmly in place.
- 4) If any oil is spilled, wipe it dry with a rag.



LIGHTING PROCEDURE



- 1) Turn the wick adjuster knob clockwise as far as possible to raise the wick.

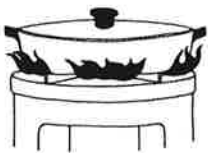


- 2) Raise the prong on the lower part of the chimney. Light the top of the wick with a match.



- 3) Check to insure that the chimney is properly placed on the burner by moving the chimney prong gently to the right and left. If the wick is cramped in the chimney, the stove will smoke.

FLAME ADJUSTMENT



× Wick too high

- 1) One minute after lighting, a blue flame rises above the top of the chimney.
- 2) If the flame rises too high and burns with a red flame, turn the knob counter-clockwise to lower the wick and change the flame to blue.
- 3) Do not use too low a flame. Even when using to simmer, adjust the flame so that it rises above the top of the chimney. If the flame is too low and only burns inside the chimney, the simmering flame will dirty the chimney, and produce an oily smell.

TO EXTINGUISH



Turn the wick control knob counter-clockwise until it stops. The flame will go out in a short time. After turning off the fire, check to make sure that the flame is completely out.

REPLACING THE WICK



- 1) Remove the top grate and the chimney.



- 2) Next take off the drip pan.



- 3) After pulling off the knob, remove the two thumb-screws on the body and lift off the cabinet gently.



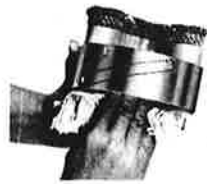
- 4) Unscrew the four wing nuts on the lower part of the burner and then lift it out.



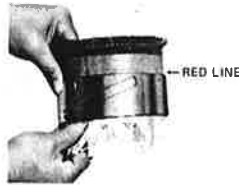
- 5) Turn the nut counter-clockwise by using wrench and remove it. Then gently pull the stem toward you to remove.



- 6) Lift up the wick holder and remove it from the tank.



- 7) Take out the old wick from the wick holder by folding it.



- 8) Insert the fourfolded new wick into the wick holder. Position the wick so that the red line on the wick aligns with the top edge of the wick holder, and then unfold wick over the inner wall of the wick holder.



- 9) Unfold the lower part of the wick and carefully replace the wick holder unit onto the tank.



- 10) Insert the stem into the pipe and mate pinion gear with the rack in the holder.



- 11) Place the burner in position on the tank. Take care that a loose wick end does not hang out of the tank.



- 12) Fasten the burner firmly with wing nuts when the wick clearance is even all around its circumference. Check to insure that the wick moves smoothly. Using scissors, cut off any ragged edges of the wick along the top rim of the burner.

ALWAYS USE GOOD QUALITY KEROSENE

Good quality kerosene means Illuminating Grade White Water Kerosene. If kerosene looks cloudy or is orange or deep yellow, do not use it. Demand clear kerosene. The fiberglass wick in your cookstove will last a long time if you use good kerosene.

PROPER STORAGE OF KEROSENE

Always store your fuel in a clean container marked "kerosene". Avoid storage in direct sunlight as frequent temperature changes will cause water condensation in the tank. Check for water in kerosene by siphoning fuel into a clear glass jar. If water is present it will settle in a layer on the bottom of the jar or cause the fuel to appear cloudy. Water in your fuel tank will cause the flame to flicker, get smaller and finally go out.

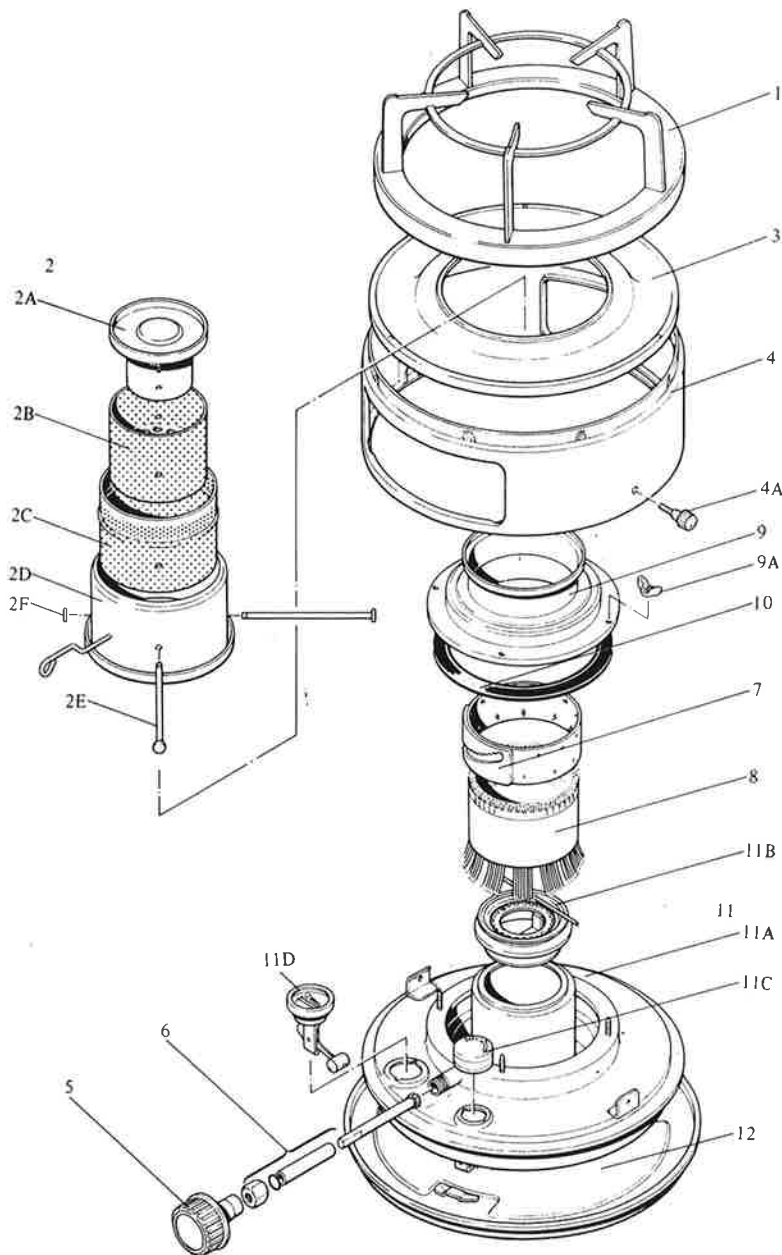
CLEANING THE CHIMNEY AND WICK

- 1) If the many small holes in the inside of the chimney become plugged because of food boiling over, the flame will not burn properly. Clean the chimney holes by using a brush.
- 2) Brush the wick very gently periodically to remove accumulated carbon. (Use an old tooth brush or any similar soft brush.)

SAFETY PRECAUTIONS

1. BURN ONLY KEROSENE in this cookstove. NEVER use gasoline, white gas, camp-stove or any other fuel. These fuels are extremely dangerous if used in kerosene cookstove.
 2. Store fuel far away from any heat source, in a can clearly marked KEROSENE.
 3. Keep cookstove away from all burnable materials such as clothes, curtains, wood etc.
 4. Cookstove surfaces become hot. Keep children away.
 5. Do not move, service, or refill heater while it is burning or hot.
Extinguish flame first and let it cool.
 6. Refuel cookstove wipe up any spills when it is cool. Use the Kero-Sun siphon to prevent any spillage.
 7. Provide adequate ventilation. The cookstove needs oxygen just as you do.
Crack a window to the outside one inch, or leave a door open to an adjacent room.
 8. When turning cookstove off, make sure the flame is completely extinguished.
 9. Keep outside of cookstove free of dust or of spilled kerosene.
Follow maintenance instructions for optimum performance.
 10. Keep cookstove level.
 11. Avoid drafts.
 12. Use only water-clear, fresh, pure kerosene. Yellow or colored kerosene will smoke, smell and not burn efficiently.
-

Key No.	Parts Name	Remarks
1	TOP GRATE	
2	MANTLE ASSEMBLY (COMPLETE)	
2A	Chimney disc	
2B	Inner chimney	
2C	Middle chimney	
2D	Outer chimney	
2E	Cross pin	2 pcs.
2F	E ring	2 pcs.
3	DRIP PAN	
4	STAINLESS CABINET	
4A	Thumbscrew	2 pcs.
5	WICK ADJUSTER KNOB	
6	STEM	
7	WICK HOLDER	
	GLASS FIBER WICK	
9	BURNER	
9A	Wing nut	3 pcs.
10	RUBBER GASKET	
11	FUEL TANK ASSEMBLY (COMPLETE)	
11A	Fuel Tank	
11B	Wick guiding cylinder top	
11C	Fuel filler plug	
11D	Fuel gauge	
12	SPILL TRAY	



NOTE

When ordering parts, use the model number in conjunction with the key number for the item. For example, the glass fiber wick is designated "K"-8.

KERO-SUN, INC. *Limited Warranty*

KERO-SUN, Inc. warrants each heater sold by it to be free from defects in material and workmanship, under normal use and service, for one year after the date of original retail purchase, subject to the terms and conditions stated below:

1. **WARRANTOR.** This Warranty is granted by KERO-SUN, Inc., Main Street, Kent, Connecticut 06757.
2. **PARTIES TO WHOM WARRANTY IS EXTENDED.** This Warranty shall be extended only to the original retail purchaser.
3. **PARTS COVERED.** All products and parts manufactured by or for KERO-SUN, Inc., except as provided for herein.
4. **PARTS NOT COVERED.** The following parts are not covered by this Warranty:

Normal wear and tear items, such as, but not limited to, wicks, batteries, igniter coils, and siphons.

5. **REMEDY.** If, within the applicable warranty period, any product or part included in this Warranty proves to be defective in material and/or workmanship, then KERO-SUN, Inc. shall, at its option, repair or replace the defective product or part.

6. **PROCEDURE FOR OBTAINING PERFORMANCE UNDER THIS WARRANTY.** In order to obtain performance of the obligations under this Warranty, the original purchaser must promptly [in no event later than thirty (30) days after discovery of the defect] notify any authorized KERO-SUN, Inc. dealer in the United States or Canada of the defect and return the defective part or product to an authorized KERO-SUN dealer. All transportation costs to and from the authorized KERO-SUN, Inc. dealer will be at the expense of the original retail purchaser.

If the instrument or any part thereof is returned for any cause not covered by this Warranty, a charge will be made for testing, handling, packing and/or any repairs made.

KERO-SUN, Inc. accepts no responsibility for any damage that occurs to the product or part during transit to or from the original retail purchaser.

ANY CLAIM MADE UNDER THIS WARRANTY MUST BE ACCOMPANIED BY PROOF OF ORIGINAL PURCHASE DATE—SALES INVOICE OR CANCELLED CHECK IS SATISFACTORY EVIDENCE.

7. **SOLE REMEDY.** The remedy and liability for any breach of warranty, express or implied, set forth above is the sole and exclusive remedy and the limit of liability for any such breach.

8. **DESIGN CHANGES.** KERO-SUN, Inc. reserves the right to make changes in the design or material of the heater without incurring any obligations to incorporate such changes in any product previously manufactured or advertised.

9. **EXCLUSIONS AND IMPLIED WARRANTIES.** This Warranty does not extend to any defect due to the negligence of others, failure to operate or maintain the heater in accordance with the operating and maintenance instructions furnished with each new heater, unreasonable use, accidents, alterations, ordinary wear and tear, the use of unauthorized or non-standardized parts or accessories or the use of any fuel other than good quality kerosene. **ALL IMPLIED WARRANTIES, IF ANY, ARISING UNDER STATE LAW IN CONNECTION WITH THE SALE BY KERO-SUN, Inc. OF ANY NEW INSTRUMENT ARE LIMITED IN DURATION TO THE DURATION OF THIS WRITTEN WARRANTY. THERE ARE NO WARRANTIES, EXPRESS OR IMPLIED, OR MERCHANTABILITY, FITNESS OR OTHERWISE WHICH EXTEND BEYOND THIS WARRANTY, KERO-SUN, Inc. SHALL NOT BE RESPONSIBLE FOR LOSS OF USE OF ANY HEATER, LOSS OF TIME, INCONVENIENCE OR OTHER INCIDENTAL OR CONSEQUENTIAL DAMAGES WITH RESPECT TO BUSINESS OR PROPERTY, WHETHER AS A RESULT OF BREACH OF WARRANTY, NEGLIGENCE, STRICT LIABILITY IN TORT, OR OTHERWISE.**

NOTE: SOME STATES DO NOT ALLOW (a) LIMITATIONS ON HOW LONG AN IMPLIED WARRANTY LASTS OR (b) THE EXCLUSION OR LIMITATION OF INCIDENTAL OR CONSEQUENTIAL DAMAGES, SO THE ABOVE LIMITATIONS OR EXCLUSIONS MAY NOT APPLY TO YOU.

10. **NO VARIATION OF TERMS.** No person has the authority to orally, in writing, or in any other way vary the terms, conditions or exclusions of this Warranty or to make any express warranties other than those contained herein.

11. **LEGAL RIGHTS.** This Warranty gives you specific legal rights and you may also have other rights which vary from state to state.



PORTABLE HEATERS

Puts the WARM where you want it!

KERO-SUN, INC., KENT, CONN. 06757

TEL. (203) 927-2581