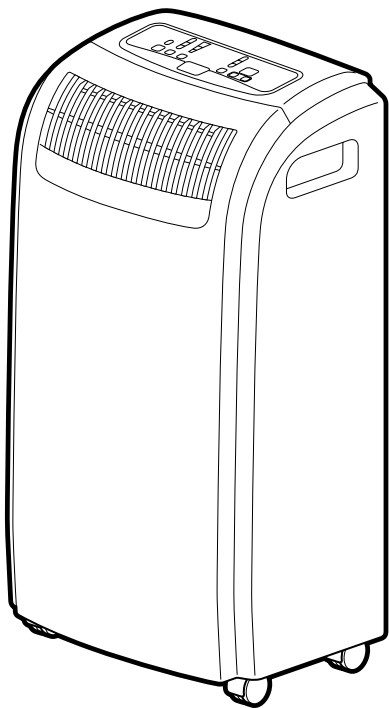


TÖYÖTÖMI



PORTABLE AIR CONDITIONER

**ACONDICIONADOR DE AIRE
PORTATIL**

**CONDITIONNEUR D'AIR
DEPLACABLE**

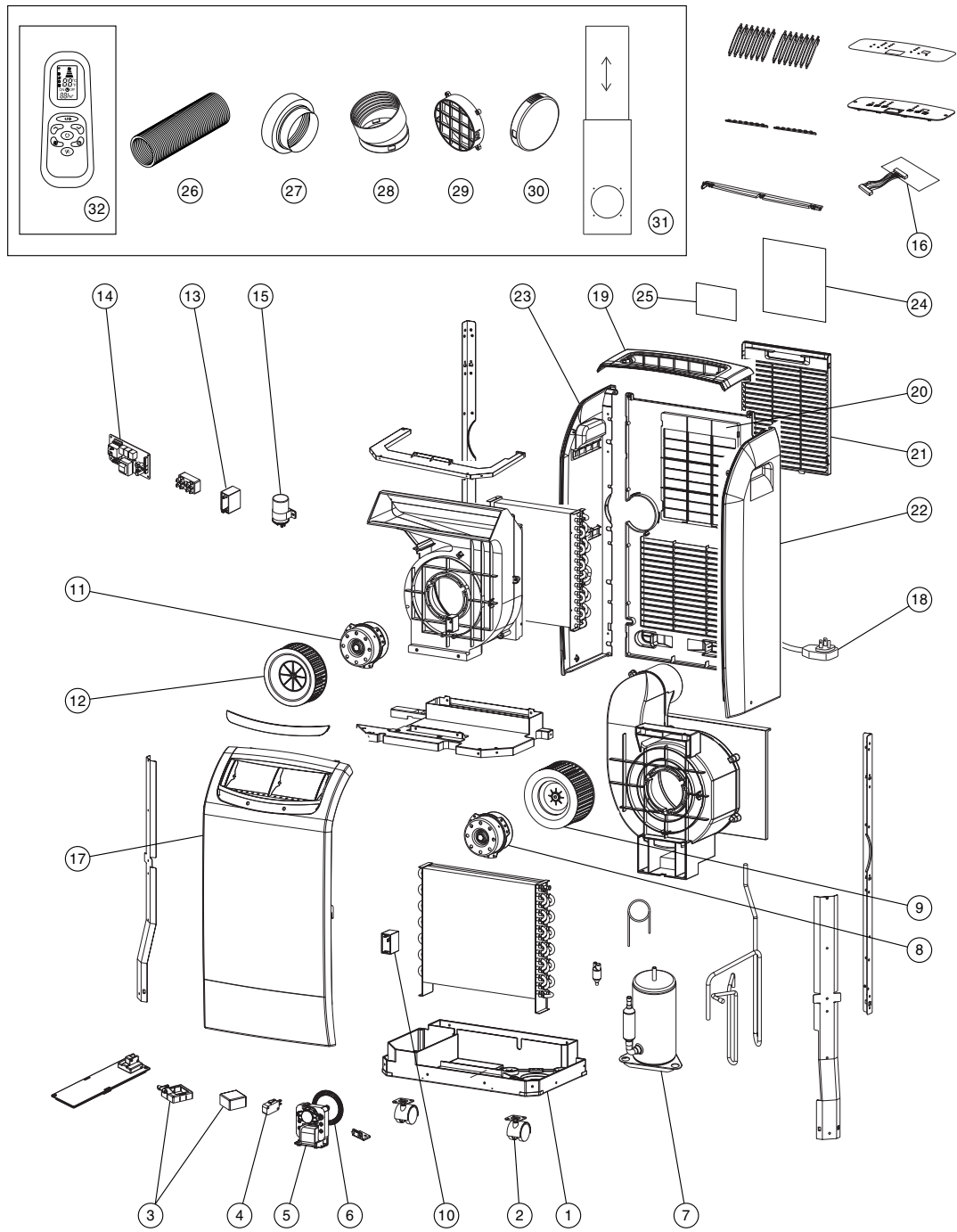
TAD-30F



**INSTRUCTION MANUAL
MANUAL DE INSTRUCCIONES
MODE D'EMPLOI**

**ENGLISH P. 1
ESPAÑOL P. 5
FRANCAIS P. 9**

PARTS LIST



NO.	PART #	PART NAME	NO.	PART #	PART NAME	NO.	PART #	PART NAME
1	22740229	Base pan assembly	13	22740247	Capacitor B	25	22740240	Charcoal filter
2	22740270	Caster	14	22740212	Main circuit board	26	22740249	Exhaust duct hose
3	22740230	Float	15	22740248	Capacitor C	27	22740250	Exhaust duct connector
4	22740206	Micro switch	16	22740217	Indication lamp circuit	28	22740254	Exhaust duct hose adapter nozzle
5	22740222	Drain motor	17	22740227	Front panel	29	22740253	Exhaust duct hose grille
6	22740223	Blade	18	22740235	Power supply cord	30	22740252	Cover
7	22740213	Compressor	19	22740201	Top plate	31	22740281	Window panel kit
8	22740220	Rear fan motor	20	22740251	Rear panel	32	22740276	Remote control
9	22740242	Rear fan	21	22740245	Intake air grille	33	22740295	Instruction manual
10	22740246	Capacitor A	22	22740263	Right side panel	34	22740299	Carton
11	22740218	Front fan motor	23	22740264	Left side panel			
12	22740241	Front fan	24	22740203	3M Filter			

SUMMARY

The idea behind the unit is to provide a localized supply of cool air.

The unit will greatly enhance your personal comfort whether at a work station or even in your favorite chair.

Four (4) casters enable you to move the unit easily from room to room. It cools and dries the air at the same time so that you can stay comfortable even when it's humid or rainy outside. Also your furnishings and fabrics are kept in good condition when it's used as dehumidifier.

Conventional air conditioners use large quantities of energy to cool an entire room, including walls and furniture. The unit creates a zone of cool and dry air only where it is needed. It does not waste energy cooling the surroundings.

It's easy to operate. Once you set the desired function, all functions will be memorized in the unit. The built-in timer allows from 1 to 12 hours operation, after which the unit is automatically turned on and off. This is especially convenient at bedtime.

Venting is not required. However, if the unit is to be used exclusively in one space, the cooling efficiency will be enhanced by using the venting kit accessory.

OPERATIONAL FEATURES

1. COOLING OPERATION:

Normally, cool air is directed out the front louvers by the circulation fan which has three (3) stages of fan speed.

2. AUTOMATIC OPERATION:

Once the desired function has been set, it is memorized as long as it remains connected to the wall outlet. In the event of a power failure, the desired function must be re-entered when power is restored.

3. THERMO CONTROL

The compressor will automatically shift to ON or OFF to maintain the desired temperature.

4. TIMER OPERATION:

The unit will turn on and off after the designated period of time (1, 2, 3, ...12 hours).

5. AUTOMATIC SHUT-OFF MECHANISM WHEN DRAIN TANK IS FULL:

When the drain tank is full, the unit will be automatically shut off. It is always required to press power button twice to resume operation after the condensed water is removed from the tank.

6. TRIPLE AIR FILTER:

A pre-filter protects the unit from dust, 3M™ air filter cleans circulation air and a charcoal filter eliminates unpleasant odor.

1. DESCRIPTION

Fig. A FRONT

- A1 Air outlet
- A2 Vertical louver
- A3 Front panel
- A4 Operation panel
- A5 Carrying handle
- A6 Horizontal louver
- A7 Caster

Fig. B REAR

- B1 3M™ air filter
- B2 Air intake (Evaporator)
- B3 Exhaust outlet
- B4 Air intake (Condenser)
- B5 Power supply cord
- B6 Power plug
- B7 Drain water outlet
- B8 Air intake grille (Pre-filter)

Fig. C OPERATION PANEL

- C1 Power button
- C2 Mode button
- C3 Fan speed button
- C4 Timer button
- C5 Adjust buttons
- C6 Tank full lamp

- C7 Cool mode lamp
- C8 Dry mode lamp
- C9 Fan mode lamp
- C10 Room temp lamp
- C11 Set temp lamp
- C12 Timer set lamp
- C13 Digital indicator
- C14 Signal receptor
- C15 C/F toggle button (Remote control)

Fig. I EXHAUST DUCT SET

- I1 Exhaust duct hose connector
- I2 Exhaust duct hose adapter nozzle
- I3 Exhaust duct hose

Fig. J WINDOW PANEL KIT

- J1 Window panel
- J2 Window panel extension
- J3 Exhaust duct hose grille
- J4 Cover
- J5 Screws

2. SAFETY TIPS

IMPORTANT

- Read instructions carefully before operation.
- The unit should be operated when the room temperature is between 64°F (18°C) to 95°F (35°C). If the room temperature is below 64°F (18°C), ice may form on the coils. If the room temperature is above 95°F (35°C), the compressor will automatically shut off to protect itself.
- ALWAYS, wait 3 min. to restart after turning unit off.

▲ WARNING

- NEVER expose infants, handicapped persons, or senior persons directly to the airflow. Adjust the airflow direction.
- Keep children away from unit. Children are particularly liable to this danger. The fan is running at high speed inside. Covering them may deteriorate air conditioner performance or cause it to become inoperative.
- NEVER insert objects of any kind into the air intake or air outlet.
- DO NOT unplug if your hands are wet. An electrical shock may occur.
- DO NOT operate in a wet location.
- ALWAYS plug into 115 V, 60 Hz, single phase electrical outlet.
- Be sure plug fits receptacle securely.
- DO NOT run power cord under carpets, rugs, or floor mats of any kind.
- DO NOT attempt to shorten or alter power cord in any way.
- DO NOT apply any excessive force or pressure to the power supply cord.
- Make sure that the plug is free of dust.
- DO NOT use an extension cord.
- DO NOT turn on and off by inserting or removing the plug which may cause electric shock or fire.
- If there is a fear of lightning, stop the unit and disconnect the power supply cord.
- DO NOT touch the evaporator, condenser and pipes.
- DO NOT operate with filter removed.

▲ CAUTION

- Keep unit more than 20 in. (50 cm) away from any objects or wall. (Fig. D)
- If the unit is operated in COOL mode in an area of very high moisture, the top plate and the rear plate may get covered with a mist. Wipe off any mist before it has a chance to get on the floor or rug.
- Remove drain water before moving unit.
- To minimize corrosion, DO NOT use in damp, salty air area.
- DO NOT operate in direct sunlight.
- DO NOT use for such particular purpose as preservation of foodstuff, animals, plants, precision appliances, arts and medicine.
- DO NOT place an animal, plants or combustion equipment in a place which is subjected to the direct air blow of the unit.
- DO NOT ride or place the object on the unit.
- DO NOT turn the unit on its side or upside down.

3. OPERATION

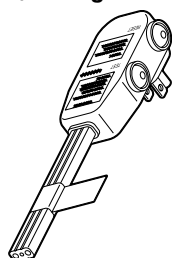
BEFORE OPERATION:

INSTALLING FILTERS

▲ CAUTION

- Be sure to assemble the filters before using the unit.
1. Pull the air intake grill (B8) toward you and remove it.
 2. Take the 3M™ filter and the charcoal filter out of the bag.
 3. Mount the charcoal filter and then install the 3M™ HAF filter properly.

LCDI (Leakage Current Detection and Interruption) PLUG



TEST: WHEN CURRENT LEAKING OR PRESSING TEST BUTTON, THE INDICATOR LIGHT WILL TURN OFF AND THE UNIT WILL CUT OUT.

RESET: AFTER SOLVE THE PROBLEM PLEASE PRESS RESET BUTTON.

OPERATING STEPS:

1. **PRESS "POWER" BUTTON (C1) TO "ON".**
Cool mode lamp (C7) and Low lamp are lit at this time and unit starts.
2. **PRESS MODE BUTTON (C2).**
Press the mode button (C2) to set your desired operation mode "COOL" (C7), "DRY" (C8) or "FAN" (C9).
COOL mode (C7)
During the "COOL" mode the air is cooled and hot air is exhausted to the outside air through the exhaust duct hose.
DRY mode (C8)
Air is dehumidified as it passes through the unit, without being in full cool mode.
In "DRY" mode operation, you cannot change the fan speed.
FAN mode (C9)
The "FAN" mode provides only circulation of room air, so that you cannot set the room temperature.
3. **PRESS TIMER/TEMPERATURE ADJUST BUTTONS (C5)**
Set the desired room temperature by pressing UP button "∧" or DOWN button "∨". The default display is room temperature.
When "∧" or "∨" button is pressed, the set temperature is displayed and may be adjusted. After 15 seconds the display will revert back to room temperature.
By pressing both buttons at once, the display will toggle between Celsius and Fahrenheit. When using the remote control, press the C/F toggle button (C15).
4. **PRESS FAN SPEED BUTTON (C3)**
Press the fan speed button (C3) to set the desired air flow rate.
High Operation at a high air flow
Med Operation at a medium air flow
Low Operation at a low air flow
5. **AIR DEFLECTION**
The vertical louvers (A2) and the horizontal louvers (A6) may be set on right and left and/or up and down manually in desired direction. (Fig. E)
6. **STOP OPERATION**
Press the Power button (C1) and all lights will go out.

TIMER OPERATION

Auto turning OFF:

With unit in cool mode, press Timer button (C4) to select number of hours you would like the unit to run in cool mode until it automatically shuts off.

Auto turning ON:

With unit powered off, press Timer button (C4) to select number of hours until you would like the unit to automatically start.

USING REMOTE CONTROL

The functions work the same as your air conditioner's operation panel. (Fig. C)

Batteries: Remove the cover on the back of the remote control and insert the batteries with the (+) and (-) poles pointing in the proper direction. (Fig. H)

▲ CAUTION

- Use only AAA or IEC R03 1.5V batteries.
- DO NOT attempt to recharge the supplied batteries.
- All batteries should be replaced at the same time.
- DO NOT dispose of the batteries in a fire as they may explode.
- DO NOT install the batteries with the polarity (+/-) reversed.
- Keep batteries and other things that could be swallowed away from young children. Contact a doctor immediately if an object is swallowed.

4. DRAINING EXCESS WATER (Fig. F)

1. Drain excess water from the tank by placing a pan under the drain water outlet. (Fig. B7)
2. Remove the drain plug, and let the water drain into the pan.
3. When the water stops draining out, replace the drain plug.
4. Remove the pan of water.
5. Operate the unit in Fan mode to dry the interior of the unit.
NOTE: Remove the drain water from the tank once a week.

5. CLEANING

CLEANING AIR INTAKE GRILLE (Fig. G)

1. Clean the air intake grille (B8) once every two weeks.
2. To remove the air intake grille (B8), pull the grille off.
3. Remove the dust with a vacuum cleaner.

▲ WARNING

- DO NOT touch the evaporator. It may cause injury or damage.

▲ CAUTION

- DO NOT rinse the charcoal filter with water.

CLEANING SURFACE

Clean the outside of the unit with a soft damp cloth.

▲ CAUTION

- NEVER use gasoline, solvents, chemical products or polish as they could damage the surfaces.

6. LONG-TERM STORAGE

At the end of each season, or when you do not plan to use your unit for an extended period of time, the following procedures are recommended.

1. Run the unit 5 or 6 hours with only the "FAN" (C8) mode operating in order to dry the inside.
2. Remove the drain water from the tank and unplug the unit.
3. Clean the unit.
Wipe off any dirt or dust on the unit with a soft damp cloth or a vacuum cleaner, and then wipe again using a soft dry cloth.
4. Clean the air intake grill (B8) and replace it.
5. Store the unit.
The original shipping carton is the best place to store your unit. If you do not have the original packing materials, cover the unit with a large plastic bag and store in a cool dry place.

▲ CAUTION

- ALWAYS store the unit in the vertical position.
- DO NOT put heavy objects on top of the unit.

7. TRANSPORTATION

Preferably keep the unit in the vertical position during transportation. If this is not possible then lay it on its rear side, when at destination put the unit back in the vertical position and wait at least ten (10) minutes before using it. Before transporting/moving the unit make sure the drain tank is empty.

8. TROUBLESHOOTING

SYMPTOM	CAUSE	SOLUTION
Unit does not work.	<ul style="list-style-type: none"> - Power cut. - The plug has not been plugged improperly. - The full-tank indicator is ON. Tank is full. 	<ul style="list-style-type: none"> - Wait for power to be supplied again. - Plug in again. - Remove the drain water from the drain tank.
Unit suddenly stops during in operation.	<ul style="list-style-type: none"> - The indoor temperature has reached the set temperature level. - The preset time is up. - The full-tank indicator is ON. Tank is full. 	<ul style="list-style-type: none"> - Reset the temperature level. - Reset the timer. - Remove the drain water from the drain tank.
Unit runs intermittently.	<ul style="list-style-type: none"> - Malfunction. - Surrounding temperature is too high or too low. - Exhaust duct hose is blocked. 	<ul style="list-style-type: none"> - Contact your dealer. - Check the duct hose.
Unit functions but the room is not cooled.	<ul style="list-style-type: none"> - Window or door is left open in the room. - There is heat source in the room or too many of people in it. - Air intake grille is clogged. - Filter is too dirty. - Temperature setting is too high. 	<ul style="list-style-type: none"> - Close all windows and door. - Move out any heat source in the room. - Clean the air intake grille. - Replace the filter. - Lower the temperature setting.
Condensed water is spilled out when moving the unit.	<ul style="list-style-type: none"> - The tank is nearly full. 	<ul style="list-style-type: none"> - Remove the drain plug on the rear bottom of the unit, drain off the water then the unit will be in operation automatically.

BEFORE CALLING FOR SERVICE

The followings are not defects.

A hissing noise or hollow sound :	⇒ This sound is generated from the refrigerant flowing within pipes.
A squeaking noise :	⇒ This noise is generated from the unit when it is expands or contracts with temperature changes.
Odor :	⇒ Such odor as tobacco, cosmetics, or foods may accumulate in the unit.
The unit does not start nor change operation mode immediately :	⇒ To prevent overloading the compressor motor, the unit will be stopped for more than 3 minutes.

9. SPECIFICATIONS

MODEL	TAD-30F
COOLING CAPACITY	10,000 BTU/H
DEHUMIDIFYING CAPACITY	0.48 gal/h (1.8 L/H)
POWER SOURCE	Single Phase 115V, 60Hz
POWER CONSUMPTION	950 W
OPERATING CURRENT	9.0 A
AIR FLOW (MAX.)	188 CFM (320 m³/h)
OPERATING TEMP. RANGE	64°F~95°F (18°C~35°C)
DIMENSIONS (WxHxD)	18-5/8" x 34-1/4" x 13-9/16" (472 x 869 x 345 mm)
WEIGHT	79 Lbs. (36 kg)
COMPRESSOR	ROTARY
REFRIGERANT	R-22

NOTE: Cooling air capacity will vary according to temperature and humidity of the room.

10. VENTING KIT ACCESSORIES

If the unit is to be used exclusively in one space, the cooling efficiency will be enhanced by using the following venting kit accessories.

EXHAUST DUCT SET (FLEXIBLE TUBE) (Fig. I)
Max. 5 ft. (1.5m)

WINDOW PANEL KIT (Fig. J)
For sliding and double-hung windows
Max. 37 in. (94cm)
Min. 28-1/4 in. (72cm)

USING EXHAUST DUCT SET (Fig. I)

1. Insert the end of exhaust duct hose (flexible tube) (I3) into exhaust duct connector (I1) by turning it counter clockwise onto the tube and fix it into exhaust outlet by turning it clockwise until it locks.
2. Insert the end of exhaust duct hose (I3) into exhaust duct hose adapter nozzle (I2). Extend the exhaust duct hose (I3) and close the window or door as far as possible trapping the exhaust duct hose adapter nozzle (I2).

NOTE: Place the unit as close as possible to the window or door.

USING WINDOW PANEL KIT (Fig. J)

NOTE: Window installations are possible by the use of the exhaust duct set and window panel kit.

1. Fix the exhaust duct hose grill (J3) to the window panel with four (4) screws. Make sure that the panel is extended so that screws do not go into sliding portion of panel.
2. Open the window.
3. Place the window panel in the window, extending it to fit the width of the window. Once panel is extended, the panel can be locked into this width by tightening the two (2) screws on the top panel.
4. Close the window.
5. Attach the exhaust duct hose adapter nozzle (I2) on the exhaust duct hose grille (J3).
6. When not in use, the exhaust duct hose adapter nozzle (I2) may be closed off with the cover for exhaust duct hose grille (J3) provided.

NOTE: The same procedure can be adapted for vertical installation in sliding windows.

OPTIONAL ACCESSORIES

When you need a longer size window panel, please purchase the extension window panel "B" and use it with the original window panel "A".

Part # 22740286 EXTENSION WINDOW PANEL "B" (M)
31-1/2" (80 cm)



Part # 22740288 EXTENSION WINDOW PANEL "B" (L)
56" (142 cm)



LIMITED WARRANTY

TOYOTOMI CO., LTD. ("TOYOTOMI") warrants each products and any parts thereof sold by it to be free from defects in materials or workmanship under normal use and service for TWELVE (12) MONTHS from the date of delivery to the original purchaser at retail subject to the following terms and conditions :

WHAT IS COVERED : Product or any parts thereof which are defective in materials or workmanship.

WHAT IS NOT COVERED :
This warranty does not extend to any defect due to the negligence of others; failure to install, operate or maintain unit in accordance with instructions (operating and maintenance instructions are furnished with each new unit); unreasonable use, accidents, alteration, use of unauthorized or non-standardized TOYOTOMI parts and accessories; electrical malfunction, i.e., as resulting from large power surges, short circuit, etc.; incorrect installation; or repair by anyone other than a service facility specified by TOYOTOMI.

WHO IS COVERED : The ordinal purchaser at retail.

WHAT WE WILL DO : TOYOTOMI will either repair or replace, at its option, all defective parts free of charge that are covered by this limited warranty on a carry-in basis, to your nearest authorized dealer or distributor of TOYOTOMI.

WHAT YOU MUST DO FOR WARRANTY SERVICE : You must return the defective Product or part to any authorized dealer or distributor of TOYOTOMI with this LIMITED WARRANTY and a copy of your bill of sale or credit card charge receipt or other document evidencing the date of the Product's delivery. If service is not available locally, please contact our CUSTOMER RELATIONS DEPARTMENT at :

SHILAC ENTERPRISES INC.
23848 Hawthorne Blvd. (#100)
Torrance CA 09505
(310)791-2855

TOYOTOMI U.S.A., INC.
604 Federal Road, Brookfield, CT 06804
(203)775-1909

THE FOREGOING EXPRESSES ALL OF TOYOTOMI'S OBLIGATIONS AND LIABILITIES WITH RESPECT TO THE QUALITY OF PRODUCT FURNISHED BY IT. ALL OTHER WARRANTIES, EXPRESSED OR IMPLIED, INCLUDING THE WARRANTIES OF MERCHANTABILITY OR FITNESS FOR A PARTICULAR PURPOSE ARE DISCLAIMED. TOYOTOMI SHALL NOT BE LIABLE FOR THE LOSS OF USE OF THE PRODUCT, INCONVENIENCE, LOSS OR ANY OTHER DAMAGES, DIRECT OR CONSEQUENTIAL ARISING OUT OF, THE USE OF, OR INABILITY TO USE, THE PRODUCT OR DAMAGES RESULTING FROM OR ATTRIBUTABLE TO DEFECTS IN THE PRODUCT.

No other than TOYOTOMI has authority to extend or modify the terms of this Limited Warranty in any manner whatsoever.

Some states do not allow the exclusion or limitation of incidental or consequential damages or limitations on how long an implied warranty lasts, so these limitations or exclusions may not apply to you. This Limited Warranty gives you specific legal rights and you may also have other rights which vary from state to state.

SUMARIO DEL unit

La unidad ha sido diseñada para proporcionar un acondicionamiento de aire localizado.

La unidad aumentará su confortabilidad ya sea que esté en su lugar de trabajo o sentado cómodamente en su sillón preferido.

Cuatro (4) ruedas permiten desplazar fácilmente la unidad de una habitación a otra. Refrigerera y seca el aire simultáneamente para crear un ambiente confortable aun en los días húmedos y lluviosos. Utilizado como deshumidificador, esta unidad le ayudará a mantener sus muebles y tapices en buenas condiciones.

Los acondicionadores de aire convencionales consumen gran cantidad de energía para enfriar una habitación completa, incluyendo las paredes y los muebles. En cambio, la unidad crea una zona de aire frío y seco sólo donde es necesario. No derrocha energía enfriando los espacios circundantes.

Su operación es muy fácil. Una vez ajustadas todas las funciones serán memorizadas en la unidad. El timer incorporado permite ajustar la unidad para que se active o desactive automáticamente al cabo de un período de tiempo programable entre 1 a 12 horas. Esto es especialmente conveniente antes de irse a la cama.

No requiere ventilación. Sin embargo, si va a usar la unidad exclusivamente en un solo lugar, podrá aumentar la eficiencia de enfriamiento utilizando el kit para ventana ofrecido como accesorio.

CARACTERISTICAS FUNCIONALES

1. OPERACION DE ENFRIAMIENTO:

Normalmente el aire frío sale por las rejillas delanteras impulsado por el ventilador de circulación que tiene tres (3) etapas de velocidad.

2. OPERACION AUTOMATICA:

Después de ajustar a la función deseada, permanecerá en la memoria mientras la unidad se encuentre enchufada al tomacorriente mural. Si ocurre una interrupción del suministro de energía, deberá volver a introducir la función deseada después que se restablezca la energía.

3. TERMOCONTROL

El compresor conmutará automáticamente a ON (conexión) u OFF (desconexión) para mantener la temperatura deseada.

4. OPERACION DEL TIMER

El timer permite programar la unidad para que se active y desactive después de un cierto período de tiempo (1, 2,3 ... 12 horas).

5. MECANISMO DE DESACTIVADO AUTOMÁTICO DEBIDO A TANQUE DE DRENAJE LLENO:

Cuando se llene el tanque de drenaje, la unidad se desactivará automáticamente. Oprima dos veces el botón "POWER" (conexión) para reanudar la operación después de vaciar el agua condensada del tanque.

6. TRIPLES FILTROS DE AIRE:

Un filtro previo protege la unidad del polvo, el filtro de aire 3MTM purifica el aire circulante y un filtro de carbón elimina los olores desagradables.

1. DESCRIPCION

Fig. A FRENTE

- A1 Toma de aire
- A2 Filtro de aire (ubicado detrás de las rejillas)
- A3 Panel delantero
- A4 Toma de aire (condensador)
- A5 Rueda
- A6 Panel de mandos

Fig. B ATRAS

- B1 Filtro de aire 3M
- B2 Toma de aire (Evaporador)
- B3 Salida de aire
- B4 Toma de aire (Condensador)
- B5 Cable de alimentación
- B6 Enchufe
- B7 Salida de agua de drenaje
- B8 Rejilla de toma de aire (Filtro previo)

Fig. C PANEL DE MANDOS

- C1 Botón de conexión
- C2 Botón de modalidad
- C3 Botón de velocidad del ventilador
- C4 Luz del timer
- C5 Botones de ajuste
- C6 Luz de tanque lleno
- C7 Botón del deflector de aire
- C8 Luz de modalidad seca
- C9 Luz de la modalidad de enfriamiento
- C10 Luz de temperatura interior
- C11 Luz de temperatura ajustada
- C12 Luz de ajuste del timer
- C13 Indicador digital
- C14 Receptor de señal
- C15 Botón de conmutación C/F (Control remoto)

Fig. I JUEGO DEL CONDUCTO DE EVACUACION

- I1 Conector de la manguera del conducto del escape.
- I2 Tobera del adaptador de la manguera del conducto de evacuación
- I3 Manguera del conducto de evacuación (tubo flexible)

Fig. J KIT DEL PANEL DE VENTANA DE PLASTICO

- J1 Panel de ventana
- J2 Extensión del panel de ventana
- J3 Rejilla de la manguera del conducto de evacuación
- J4 Cubierta
- J5 Tornillos

2. INFORMACION SOBRE SEGURIDAD

IMPORTANTE

- Lea atentamente las instrucciones antes de usar la unidad.
- Haga funcionar la unidad a una temperatura ambiente comprendida entre 64°F (18°C) y 95°F (35°C). Si la temperatura ambiente es inferior a 64°F (18°C) se podrá formar hielo sobre los serpentines. Si la temperatura ambiente está por encima de 95°F (35°C), el compresor se desactivará automáticamente para fines de autoprotección.
- Espere SIEMPRE 3 minutos antes de volver a encender la unidad.

⚠ ADVERTENCIA

- No permita NUNCA que los bebés, las personas con impedimentos o las personas ancianas queden directamente expuestos a la corriente de aire. Ajuste la dirección del flujo de aire.
- Mantenga a los niños alejados de la unidad. Especialmente tenga cuidado con los niños debido al peligro que representa el ventilador interior funcionando a alta velocidad. Asimismo, nunca cubra la unidad ya que se degradará el rendimiento del acondicionador de aire o se volverá inoperante.
- No introduzca NUNCA objetos de ninguna clase dentro de la toma o de la salida de aire.
- NO desenchufe con las manos mojadas. Podría sufrir un electrochoque.
- NO lo haga funcionar en un sitio mojado.
- Enchufe SIEMPRE en una toma de 115 voltios, 60 Hz, corriente monofásica.
- Asegúrese de que el enchufe quede firmemente conectado a la toma.
- NO haga pasar el cable de alimentación debajo de las alfombras, esteras, o tapetes de ninguna clase.
- NO intente nunca acortar ni alterar el cable de alimentación.
- NO aplique presión ni fuerza excesiva al cable de alimentación.
- Asegúrese de que el enchufe esté libre de polvo.
- NO use un cable de extensión.
- NO intente nunca encender o apagar la unidad enchufando o desenchufando el cable de alimentación.
- Si existe el peligro de que caiga un rayo, apague el acondicionador de aire y desenchúfelo del tomacorriente.
- NO toque el evaporador, el condensador y los tubos.
- NO haga funcionar con el filtro desmontado.

▲ PRECAUCION

- Mantenga la unidad alejada más de 20 in. (50 cm) de la pared o de otros objetos. (Fig. D)
- Si la unidad está funcionando en la modalidad de ENFRIAMIENTO en un lugar de mucha humedad, las placas superior y posterior podrían cubrirse de gotitas de agua. Seque completamente antes de que lleguen a mojar el piso o la alfombra.
- Saque el agua de drenaje antes de mover la unidad.
- Para reducir la corrosión al mínimo, NO la utilice en ambientes de aire salino.
- NO la haga funcionar a la luz directa del sol.
- NO la utilice para fines particulares tales como la conservación de alimentos, animales, plantas, dispositivos de precisión, artes y medicina.
- NO ponga nunca un animal, plantas o equipo de combustión en un sitio sujeto al flujo directo de aire de la unidad.
- NO apoye ni coloque un objeto encima de la unidad.
- NO ponga la unidad de costado o boca abajo.

3. OPERACION

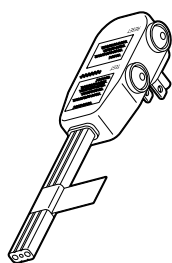
ANTES DE LA OPERACION:

INSTALACIÓN DE FILTROS

▲ PRECAUCION

- Asegúrese de armar los filtros antes de utilizar la unidad.
1. Tire de la rejilla de admisión de aire (B8) hacia sí antes de desmontarla.
 2. Saque el filtro 3M™ y el filtro de carbón de la bolsa.
 3. Monte el filtro de carbón y después instale correctamente el filtro 3M™ HAF.

ENCHUFE LCDI (Detección de Corriente de Fuga e Interrupción)



TEST (PRUEBA):

CUANDO HAY UNA FUGA DE CORRIENTE O SE PRESIONA EL BOTÓN DE PRUEBA, LA LUZ INDICADORA SE APAGARÁ Y LA UNIDAD SE DESCONECTARÁ.

RESET (REPOSICIÓN):

DESPUÉS DE RESOLVER EL PROBLEMA, PRESIONE EL BOTÓN DE REPOSICIÓN.

PASOS DE OPERACION:

1. **Oprima el botón "POWER" (conexión) (C1) para ponerlo en "ON".**
La luz de modalidad de enfriamiento "COOL"(C7) y la luz de Bajo se encienden en este momento y funciona la unidad.
2. **OPRIMA EL BOTON "MODE" (C2).**
Oprima el botón de modalidad (C2) para ajustar su modalidad de funcionamiento deseado "COOL" (enfriamiento) (C7), "DRY" (seco) (C8) o "FAN" (ventilador) (C9)
Modalidad "COOL" (enfriamiento) (C7)
Durante la modalidad "COOL" el aire se enfría y sale el aire caliente al exterior por la manguera del conducto de evacuación.
Modalidad "DRY" (seco) (C8)
El aire se deshumidifica al pasar por la unidad sin estar en la modalidad de enfriamiento total. En el funcionamiento de la modalidad "DRY" no puede cambiar la velocidad del ventilador.
Modalidad "FAN" (ventilador) (C9)
La modalidad "FAN" sólo produce circulación del aire interior y no puede ajustar la temperatura de la habitación.
3. **OPRIMA LOS BOTONES DE TIMER/AJUSTE DE TEMPERATURA (C5)**
Ajuste a la temperatura ambiente deseada presionando el botón UP "∧" o el botón DOWN "∨". La indicación por omisión es la temperatura de la habitación.
Cuando se oprime el botón "∧" o "∨", aparece la temperatura ajustada y puede ajustarlo. Después de 15 segundos la indicación volverá a la temperatura de la habitación.
Oprimiendo ambos botones a la vez, la indicación se conmutará entre Celso y Fahrenheit. Cuando utilice el control remoto, oprima el botón de conmutación C/F (C15).

4. OPRIMA EL BOTON SELECTOR DE VELOCIDAD DEL VENTILADOR (C5).

Oprima el botón selector (C5) de velocidad del ventilador para ajustar al régimen de flujo de aire deseado.

"HI" (alto)Funciona a un flujo de aire alto

"MED" (medio)Funciona a un flujo de aire medio

"LO" (bajo)Funciona a un flujo de aire bajo

5. DEFLECTOR DE AIRE

Las rejillas verticales (A2) y las rejillas horizontales (A6) pueden ajustarse hacia la derecha e izquierda y/o arriba y abajo manualmente en el sentido deseado. (Fig. E)

6. OPERACION DE PARADA

Oprima el botón "POWER" (C1) para que se apaguen todas las luces.

FUNCIONAMIENTO DEL TIMER

Desactivación automática:

Con la unidad en la modalidad de enfriamiento, oprima el botón Timer (C4) para seleccionar el número de horas que desea que la unidad funcione en la modalidad de enfriamiento hasta su desactivado automático.

Activación automática:

Con la unidad desactivada, oprima el botón Timer (C4) para seleccionar el número de horas que desea esperar hasta que la unidad empiece a funcionar automáticamente.

USO DEL CONTROL REMOTO

Las funciones actúan de la misma forma que el panel de controles del acondicionador de aire. (Fig. C)

Pilas: Desmunte la cubierta en la parte trasera del control remoto y coloque las pilas con las polaridades (+) y (-) apuntando en el sentido correcto. (Fig. H)

▲ PRECAUCION

- Utilice sólo pilas AAA o IEC R03 de 1,5V
- NO trate de recargar las pilas entregadas.
- Todas las pilas deben cambiarse al mismo tiempo.
- NO se deshaga de las pilas al fuego ya que pueden explotar.
- NO instale las pilas con la polaridad (+/-) invertida.
- Mantenga las pilas y otros objetos que puedan tragarse fuera del alcance de niños de corta edad. Llame inmediatamente a un médico si tragara un objeto.

4. DRENAJE DE AGUA EXCESIVA (Fig. F)

1. Drene el exceso de agua del tanque colocando una bandeja debajo de la salida de agua de drenaje. (Fig. B7)
2. Abra el tapón de drenaje y deje que el agua se drene en la bandeja.
3. Cuando el agua deja de salir, vuelva a colocar el tapón de drenaje.
4. Retire la bandeja de agua.
5. Haga funcionar la unidad en la modalidad de ventilador para secar el interior de la unidad.

NOTA: Elimine el agua de drenaje del tanque una vez a la semana.

5. LIMPIEZA

LIMPIEZA DE LA REJILLA DE ENTRADA DE AIRE (Fig. G)

1. Limpie la rejilla de entrada de aire (B8) una vez cada dos semanas.
2. Para desmontar la rejilla de entrada de aire (B8), tire de al rejilla.
3. Elimine el polvo con una aspiradora.

▲ ADVERTENCIA

- NO toque el evaporador. Podría causar lesiones o daños.

▲ PRECAUCION

- NO lave el filtro de carbón con agua.

LIMPIEZA DE LA SUPERFICIE

Limpie el exterior de la unidad con un paño suave y húmedo.

▲ PRECAUCION

- No use NUNCA gasolina, solventes, productos químicos o pulimentador pues se podrán dañar las superficies.

6. ALMACENAMIENTO DE LARGA DURACION

Al final de la estación o cuando no tenga planeado utilizar la unidad durante mucho tiempo, se recomiendan los siguientes procedimientos.

1. Haga funcionar la unidad 5 ó 6 horas únicamente en la modalidad "FAN" (ventilador) (C8) para que se seque el interior.
2. Vacíe el tanque de drenaje y desenchufe la unidad.
3. Limpie la unidad.
Limpie las manchas y la suciedad de la unidad con un paño suave húmedo o con una aspiradora y luego pásele un paño suave y seco.
4. Limpie la rejilla de toma de aire (B8) y reinstálelo.
5. Almacene la unidad.

La caja de cartón original es el mejor sitio para guardar su unidad. Si no ha conservado los materiales de embalaje originales, cubra la unidad con una bolsa grande de plástico y guárdela en un lugar seco y fresco.

⚠️ PRECAUCION

- SIEMPRE almacene la unidad en posición vertical. NO ponga objetos pesados encima de la unidad.

7. TRANSPORTE

Durante el transporte, se recomienda colocar la unidad en posición vertical. Si no es posible, transpórtela acostada sobre el lado trasero y al llegar a destino regrésela a la posición vertical. Espere por lo menos diez (10) minutos antes de usarla. Antes de transportar/mover la unidad compruebe que el tanque de drenaje esté vacío.

8. LOCALIZACION DE AVERIAS

SÍNTOMA	CAUSA	SOLUCION
La unidad no funciona.	- Falla de la alimentación. - Enchufe mal conectado - El indicador de tanque lleno está encendido. El tanque está lleno.	- Espere hasta que vuelva la electricidad. - Enchufe nuevamente. - Elimine el agua de drenaje del tanque de drenaje.
La unidad se detiene repentinamente durante el funcionamiento	- La temperatura interior ha llegado al nivel de temperatura ajustado. - Se acabó el tiempo prefijado. - El indicador de tanque lleno está encendido. El tanque está lleno.	- Reajuste el nivel de temperatura. - Reajuste el timer. - Elimine el agua de drenaje del tanque de drenaje.
La unidad funciona intermitentemente	- Mal funcionamiento - Temperatura ambiente demasiado alta o baja. - La manguera del conducto de evacuación está tapado.	- Llame su tienda. - Verifique la manguera del conducto.
La unidad funciona pero no se enfría la habitación	- La ventana o puerta se dejó abierta en la habitación. - Hay una fuente de calor en la habitación o demasiadas personas en ella. - La rejilla de entrada de aire está tapada. - El filtro está muy sucio. - El ajuste de temperatura está demasiado alto.	- Cierre todas las ventanas y puertas. - Saque la fuente de calor de la habitación. - Limpie la rejilla de entrada de aire. - Cambie el filtro. - Baje el ajuste de temperatura.
El agua condensada se derrama cuando mueva la unidad	- El tanque está casi lleno.	- Abra el tapón de drenaje en la parte inferior de la unidad, drene el agua y la unidad funcionará automáticamente.

ANTES DE LLAMAR EL SERVICIO

Las siguientes condiciones no son anomalías.

Silbido o ruido sordo:	⇒ Producido por el refrigerante circulando dentro de los tubos.
Chirrido :	⇒ Producido por el acondicionador de aire debido a la expansión o contracción producida por los cambios de temperatura.
Olores :	⇒ El olor de los cigarrillos, cosméticos o alimentos podría acumularse en la unidad interior.
La unidad no arranca ni cambia inmediatamente de modalidad de operación :	⇒ Para evitar que se sobrecargue el motor del compresor, la unidad dejará de funcionar durante más de 3 minutos.

9. ESPECIFICACIONES

MODELO	unit
CAPACIDAD DE ENFRIAMIENTO	10.000 BTU/H
CAPACIDAD DE DESHUMIDIFICACIÓN	0,48 gal/h (1,8 L/H)
FUENTE DE ALIMENTACIÓN	Monofásico 115V, 60Hz
CONSUMO ELÉCTRICO	950 W
CORRIENTE DE FUNCIONAMIENTO	9,0 A
FLUJO DE AIRE (MÁX.)	188 CFM (320 m³/h)
GAMA DE TEMP. DE FUNCIONAMIENTO	64°F~95°F (18°C~35°C)
DIMENSIONES (AnxAlxProf)	18-5/9"x 34-1/4"x 13-9/16" (472 x 86 x 345 mm)
PESO	79 Lbs. (36 kg)
COMPRESOR	Rotatorio
REFRIGERANTE	R-22

NOTA: La capacidad del aire de enfriamiento variará según la temperatura y la humedad de la habitación.

10. ACCESORIOS DEL KIT DE VENTILACION

Si se va a usar la unidad para uso exclusivo en un solo lugar, se conseguirá mejorar la eficiencia de la refrigeración usando los siguientes accesorios del kit de ventilación.

JUEGO DE CONDUCTO DE EVACUACIÓN (TUBO FLEXIBLE) (Fig. I)
Máx. 5 pies (1,5 m)

KIT DEL PANEL DE LA VENTANA (Fig. J)
Para ventanas correderas y de guillotina
Máx. 37 pulg. (94 cm)
Mín. 28-1/4 pulg. (72 cm)

EMPLEO DEL JUEGO DEL CONDUCTO DE EVACUACIÓN (Fig. I)

1. Inserte el extremo de la manguera del conducto del escape (tubo flexible) (I3) en el conector del conducto del escape girándolo en el sentido horario hasta que se bloquee.
2. Inserte el extremo de la manguera del conducto del escape (I3) en la tobera del adaptador de la manguera del conducto de escape (I2) y cierre la ventana o puerta hasta donde sea posible, atrapando la tobera del adaptador de la manguera del conducto del escape (I2).

NOTA: Instale la unidad lo más cerca que sea posible de la ventana o puerta.

UTILIZACIÓN DEL KIT DEL PANEL DE LA VENTANA (Fig. J)

NOTA: Es posible la instalación en ventanas utilizando el juego de conducto de evacuación y el kit del panel de la ventana.

1. Fije la rejilla de la manguera del conducto de evacuación (J3) en el panel de la ventana con cuatro (4) tornillos. Asegúrese que el panel está extendido para que los tornillos no penetren en la parte de corredera del panel.
2. Abra la ventana.
3. Coloque el panel de la ventana en la ventana, extendiéndolo para que coincida con el ancho de la ventana. Una vez extendido el panel, el panel puede bloquearse con su ancho apretando los dos (2) tornillos en el panel superior.
4. Cierre la ventana.
5. Instale la tobera del adaptador de la manguera del conductor de evacuación (I2) en la rejilla de la manguera del conducto de evacuación (J3).
6. Cuando no lo utilice, puede cerrar la tobera del adaptador de la manguera del conductor de evacuación (I2) con la cubierta entregada para la rejilla de la manguera del conductor de evacuación (J3).

ACCESORIOS OPCIONALES

Cuando se necesita un panel de ventana de tamaño más largo, compre el panel de ventana de extensión "B" y utilícelo con el panel de ventana original "A".

Pieza #22740286 PANEL DE VENTANA DE EXTENSIÓN "B" (M)
31-1/2 pulg (80 cm)



Pieza #22740288 PANEL DE VENTANA DE EXTENSIÓN "B" (L)
56 pulg. (142 cm)



GARANTIA LIMITADA

TOYOTOMI CO., LTD. ("TOYOTOMI") garantiza al comprador que este producto y sus correspondientes piezas están libres de defectos en material y mano de obra bajo empleo y servicio normales por un período de DOCE (12) MESES a partir de la fecha de la entrega al comprador original, sujeto a los siguientes términos y condiciones:

Esta garantía cubre : Al producto o cualquier pieza del mismo que presente defectos de material o de mano de obra.

Qué es lo que no está cubierto:

Esta garantía no cubre ningún daño resultante de la negligencia de terceros; error de instalación, operación o mantenimiento de la unidad de conformidad con las instrucciones de instalación (las instrucciones de operación y mantenimiento se entregan con cada unidad nueva); uso indebido, accidentes, alteración, empleo de piezas y accesorios no autorizados o no estandarizados de TOYOTOMI; fallo eléctrico que resultaren por ejemplo de una sobreintensidad transitoria fuerte, cortocircuito, etc.; instalación incorrecta, o reparación por personal ajeno al establecimiento de servicio especificado por TOYOTOMI.

Titularidad : El comprador original al detalle.

Alcance: TOYOTOMI, a opción propia, reparará o sustituirá gratuitamente todas las piezas defectuosas cubiertas por esta garantía limitada sobre una base de "devolución" a su proveedor o distribuidor autorizado TOYOTOMI más cercano.

Cómo debe reclamar el servicio de garantía: Deberá devolver el producto o componente defectuoso a cualquier proveedor o distribuidor autorizado de TOYOTOMI junto con esta GARANTIA LIMITADA y una copia de su boleta de compra, boleta de la tarjeta de crédito o cualquier otra prueba fehaciente de compra y de la fecha de entrega del producto. Si no dispone de servicio en su localidad, comuníquese con nuestro DEPARTAMENTO DE ATENCION AL CLIENTE en :

SHILAC ENTERPRISES INC.
23848 Hawthorne Blvd. (#100)
Torrance CA 09505
(310)791-2855

TOYOTOMI U.S.A., INC.
604 Federal Road, Brookfield, CT 06804
(203)775-1909

LO ANTERIOR EXPRESA TODAS LAS OBLIGACIONES Y RESPONSABILIDADES DE TOYOTOMI CON RESPECTO A LA CALIDAD DEL PRODUCTO SUMINISTRADO POR EL MISMO. TODAS LAS DEMAS GARANTIAS, EXPRESAS O IMPLICITAS, INCLUYENDO GARANTIAS IMPLICITAS DE COMERCIALIDAD E IDONEIDAD PARA UN PROPOSITO EN PARTICULAR, QUEDAN RECHAZADAS. TOYOTOMI NO SERA RESPONSABLE DE NINGUNA MANERA POR LOS LAS PERDIDAS QUE RESULTAREN DEL USO DE ESTE PRODUCTO, NI DE CUALESQUIERA GASTOS O INCONVENIENTES INCURRIDOS, PÉRDIDA DE LUCRO O POR LOS DAÑOS DIRECTOS O CONSECUENTES QUE PUDIERAN SURGIR DEL USO O ERROR DE USO, DE INCAPACIDAD EN EL USO, O POR LOS DAÑOS RESULTANTES DE O ATRIBUIBLES A DEFECTOS DEL PRODUCTO.

Sólo TOYOTOMI cuenta con la autorización para extender o modificar los términos de esta garantía limitada.

En algunos estados no se permiten limitaciones o exclusiones en cuanto a la duración de las garantías implícitas, o no permiten la exclusión o la limitación de daños incidentales o consecuentes, de manera que es posible que la antedicha limitación o exclusión no se aplique a usted. Esta garantía limitada le confiere a usted derechos legales específicos, y tal vez le correspondan otros derechos que pueden variar de un estado a otro.

PRESENTATION GENERALE

Ce dispositif a été conçu pour fournir de l'air frais à l'endroit précis désiré.

Il contribuera à l'amélioration de votre confort personnel aussi bien lorsque vous êtes à votre poste de travail qu'en train de vous relaxer dans votre fauteuil.

Doté de quatre (4) roulettes, ce dispositif peut être aisément déplacé de pièce en pièce. Tout en rafraîchissant l'air, il le déshumidifie, créant ainsi une atmosphère agréable même lorsqu'il pleut ou fait humide à l'extérieur. De plus, utilisé en tant que déshumidificateur, cet appareil permet de conserver en bon état les meubles et les tissus d'ameublement.

Les conditionneurs d'air conventionnels utilisent énormément d'énergie pour refroidir la pièce, y compris les murs et tout ce qui se trouve dans la pièce. Le dispositif crée une zone d'air frais et sec uniquement là où l'on en a besoin. Il ne gaspille pas d'énergie à refroidir tout l'environnement.

Il est d'une utilisation facile : une fois que vous l'avez réglé en choisissant les fonctions voulues, ce réglage reste en mémoire dans le dispositif. La minuterie incorporée vous permet de régler la durée de fonctionnement de 1 à 12 heures, le dispositif s'arrêtant automatiquement une fois ce temps écoulé. Cette fonction est pratique, surtout au moment d'aller se coucher.

L'évacuation de l'air rejeté n'est pas nécessaire. Cependant, lorsque le dispositif est toujours utilisé au même endroit, il est possible d'accroître son efficacité en utilisant le kit d'évacuation disponible comme accessoire optionnel.

CARACTERISTIQUES DE FONCTIONNEMENT

1. REFROIDISSEMENT

L'air rafraîchi sort à travers les volets, propulsé par le ventilateur brasseur d'air dont la vitesse est réglable (3 positions).

2. FONCTIONNEMENT AUTOMATIQUE

Une fois que l'appareil est réglé pour le type de fonctionnement voulu, ce réglage reste en mémoire tant que l'appareil est branché. En cas de panne de courant, le réglage est annulé et il faut donc réajuster l'appareil après le rétablissement du courant.

3. CONTROLE THERMIQUE

Le compresseur passe automatiquement sur ON ou OFF pour maintenir la température voulue.

4. MINUTERIE

Le dispositif se met en marche ou s'éteint après l'écoulement de la durée réglée (1, 2, 3, ...12 heures)

5. ARRET AUTOMATIQUE EN CAS DE RESERVOIR PLEIN

Lorsque le réservoir de vidange est plein, le dispositif s'arrête automatiquement. Dans ce cas, vider le réservoir, le replacer et appuyer deux fois sur le bouton marche/arrêt « POWER » pour remettre l'appareil en marche.

6. TRIPLE FILTRE A AIR

Un pré-filtre protège le dispositif de la poussière, le filtre à air 3MTM purifie l'air en circulation et un filtre au charbon élimine toutes les mauvaises odeurs.

1. DESCRIPTION

Fig. A VUE DE FACE

- A1 Prise d'air
- A2 Filtre à air (se trouve derrière la grille)
- A3 Panneau frontal
- A4 Prise d'air (condenseur)
- A5 Roulette
- A6 Commandes

Fig. B VUE DE DOS

- B1 Filtre à air 3M
- B2 Prise d'air (évaporateur)
- B3 Sortie d'évacuation
- B4 Prise d'air (condenseur)
- B5 Cordon secteur
- B6 Fiche
- B7 Sortie de vidange de l'eau
- B8 Grille de prise d'air (pré-filtre)

Fig. C LES COMMANDES

- C1 Bouton marche/arrêt
- C2 Bouton de mode
- C3 Bouton de vitesse de ventilation
- C4 Voyant de minuterie
- C5 Boutons de réglage
- C6 Lampe de réservoir plein
- C7 Bouton de déflecteur d'air
- C8 Lampe de mode sec
- C9 Voyant de mode de refroidissement
- C10 Lampe de température de la pièce
- C11 Lampe de réglage de la température
- C12 Lampe de réglage de la minuterie
- C13 Indicateur digital
- C14 Récepteur de signal
- C15 Bouton de sélection C/F (Télécommande)

Fig. I TUYAUTERIE D'EVACUATION

- I1 Connecteur de la gaine d'évacuation.
- I2 Canule adaptatrice pour le tuyau de la gaine d'évacuation
- I3 Tuyau d'évacuation (flexible)

Fig. J KIT PANNEAU FENETRE

- J1 Panneau de la fenêtre
- J2 Extension du panneau de la fenêtre
- J3 Grille du tuyau de la gaine d'évacuation
- J4 Couvercle
- J5 Vis

2. CONSIGNES DE SECURITE

IMPORTANT

- Lire soigneusement le mode d'emploi avant de faire fonctionner l'appareil.
- L'appareil est conçu pour fonctionner à une température ambiante comprise entre 64°F (18°C) et 95°F (35°C). Si la température ambiante est inférieure à 64°F (18°C), l'eau risque de geler dans les serpentins. Si la température ambiante est supérieure à 95°F (35°C), le compresseur s'arrête automatiquement à des fins d'auto-protection.
- Après avoir arrêté l'appareil, TOUJOURS attendre 3 minutes avant de le remettre en marche.

⚠ MISES EN GARDE

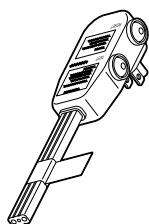
- Ne JAMAIS laisser de petits enfants, de personnes handicapées ni de personnes âgées en plein dans le courant d'air. Régler l'orientation du courant d'air.
- Empêcher les enfants d'approcher de l'appareil. Le ventilateur qui se trouve à l'intérieur présente un danger réel pour les enfants du fait qu'il tourne à grande vitesse et l'appareil ne doit pas être couvert car cela ferait baisser ses performances ou l'empêcherait de fonctionner.
- Ne RIEN insérer à l'endroit des entrées ou des sorties d'air.
- NE PAS débrancher l'appareil avec des mains mouillées, cela présente un risque d'électrocution.
- NE PAS faire fonctionner l'appareil dans un lieu humide comme une salle de bain, par exemple.
- TOUJOURS brancher l'appareil sur une prise de courant de 115 volts, 60 Hz, monophasé.
- S'assurer que la fiche est fermement insérée dans la prise de courant.
- NE PAS faire passer le cordon secteur sous une moquette, un paillason ni un tapis de quelque nature que ce soit.
- NE PAS raccourcir, abîmer ni modifier le cordon secteur de quelque façon que ce soit.
- NE PAS exercer une force ou une pression excessive sur le cordon secteur.
- S'assurer qu'il n'y a pas de poussière sur la fiche du cordon secteur.
- NE PAS utiliser de rallonge électrique.
- NE PAS mettre en marche et arrêter l'appareil en le branchant et le débranchant, cela présente un risque d'incendie ou d'électrocution.
- Par temps orageux (risque de foudre), arrêter l'appareil et le débrancher.
- NE PAS toucher l'évaporateur, le condenseur ni les tuyauteries.
NE JAMAIS utiliser lorsque le filtre n'est pas installé

▲ PRECAUTIONS

- Laisser un espace d'au moins 20 in. (50 cm) entre l'appareil et les murs ou tout autre objet. (Fig. D)
- Si l'appareil fonctionne en mode de REFROIDISSEMENT dans un lieu à très haute teneur en humidité, la plaque de dessus et la plaque arrière risquent de se couvrir de gouttelettes de buée. Essuyer ces gouttelettes avant qu'elles ne tombent sur le parquet ou le tapis.
- Veuillez vidanger l'eau avant de déplacer le dispositif.
- Pour limiter la corrosion de l'appareil, NE PAS l'utiliser dans une ambiance saline ou excessivement humide.
- NE PAS faire fonctionner l'appareil en plein soleil.
- NE PAS utiliser l'appareil dans des buts particuliers tels que pour la conservation des aliments, des appareils de précision, des objets d'art, des médicaments, etc. ou pour le soin des animaux ou des plantes.
- NE PAS placer d'animaux, de plantes ni d'appareil à combustion (p. ex. cuisinière à gaz) en plein dans le courant d'air de l'appareil.
- NE PAS s'asseoir et ne rien poser sur l'appareil.
- NE PAS coucher l'appareil sur le flanc ni à l'envers (haut en bas).

3. FONCTIONNEMENT**AVANT LA MISE EN MARCHÉ****INSTALLATION DES FILTRES****ATTENTION :**

- Veuillez vous assurer de la mise en place des filtres avant toute utilisation de l'appareil.
1. Veuillez tirer vers vous la grille de prise d'air (B8) et l'ôter.
 2. Veuillez sortir de l'emballage le filtre 3M™ et le filtre au charbon.
 3. Veuillez d'abord monter le filtre au charbon puis installer le filtre HAF 3M™ d'une façon correcte.

PRISE LCDI (Détection du courant de fuite et arrêt)

TEST : LORS DU COURANT DE FUITE OU SI LE BOUTON DE TEST EST PRESSE, LA LAMPE INDICATRICE S'ETEINT ET L'ALIMENTATION DE L'APPAREIL EST COUPEE.

RESET(REINITIALISATION) :

APRES AVOIR RESOLU LE PROBLEME, VEUILLEZ APPUYER SUR LE BOUTON DE REINITIALISATION.

PROCEDURE DE MISE EN MARCHÉ

1. **APPUYEZ SUR LE BOUTON MARCHÉ/ARRÉT "POWER" (C1).**
La lampe de mode "COOL" (C7) et la lampe "Low" sont alors allumées et le dispositif se met en marche.
2. **APPUYEZ SUR LE BOUTON DE MODE (C2).**
Appuyez sur le bouton de mode (C2) pour choisir le mode de fonctionnement : refroidissement "COOL" (C7), sec "DRY" (C8) ou ventilateur "FAN" (C9).
Mode "COOL" (C7)
Lors du mode "COOL", l'air est refroidi et l'air chaud est expulsé vers l'air extérieur à travers le tuyau de la gaine d'évacuation.
Mode "DRY" (C8)
L'air est déshumidifié lors de son passage à travers le dispositif sans être en plein mode de refroidissement.
Lors du mode "DRY", vous ne pouvez pas changer la vitesse du ventilateur.
Mode "FAN" (C9)
Le mode « FAN » permet seulement la circulation de l'air de la pièce et vous ne pouvez donc pas régler la température de la pièce.
3. **APPUYEZ SUR LES BOUTONS DE REGLAGE MINUTERIE/TEMPERATURE (C5)**
Veuillez régler la température désirée de la pièce en appuyant sur le bouton HAUT "∧" ou le bouton BAS "∨". L'affichage par défaut est la température de la pièce. Lorsque le bouton "∧" ou "∨" est pressé, la température réglée est affichée et peut être modifiée. Après 15 secondes, l'affichage revient à celui de la température de la pièce. Par une pression simultanée des deux boutons, l'affichage

bascule entre un affichage Celsius et Fahrenheit. Lorsque vous utilisez la télécommande, veuillez appuyer sur le bouton de sélection C/F (Télécommande)(C15).

4. APPUYEZ SUR LE BOUTON DE SÉLECTION DE VITESSE DU VENTILATEUR (C5).

Appuyez sur le bouton de sélection de vitesse du ventilateur (C5) pour choisir le débit d'air soufflé.

"HI":.....Grand débit d'air

"MED":Fonctionnement avec un flux d'air moyen

"LO":.....Faible débit d'air

5. DEFLEXION DE L'AIR

Les auvents verticaux (A2) et les auvents horizontaux (A6) peuvent être réglés manuellement sur droite et gauche et/ou haut et bas dans la direction désirée. (Fig. E)

6. MISE A L'ARRÉT

Appuyez sur le bouton marche/arrêt "POWER" (C1), tous les voyants s'éteindront et l'appareil s'arrêtera.

FONCTIONNEMENT DE LA MINUTERIE**Arrêt automatique :**

Lorsque le dispositif est en mode « COOL », appuyez sur le bouton de la minuterie (C4) pour sélectionner le nombre d'heures que vous désirez voir le dispositif fonctionner en mode « COOL » avant de s'éteindre automatiquement.

Mise en marche automatique :

Lorsque que le dispositif est éteint, appuyez sur le bouton de la minuterie (C4) pour sélectionner le nombre d'heures que vous désirez voir s'écouler avant que le dispositif se mette en marche.

UTILISATION DE LA TELECOMMANDE

Les fonctions agissent exactement comme sur le panneau de commande. (Fig C)

Piles : Veuillez retirer le couvercle à l'arrière du boîtier de la télécommande et insérer les piles en vous assurant de bien respecter leur polarité (+) (-). (Fig H)

ATTENTION :

- Veuillez seulement utiliser des piles de 1,5V AAA ou IEC R03
- Veuillez NE PAS essayer de recharger les piles fournies
- Toutes les piles doivent être remplacées en même temps
- Veuillez NE PAS jeter les piles dans un feu où elles risqueraient d'exploser
- Veuillez NE PAS insérer les piles en inversant leur polarité (+/-)
- Veuillez conserver hors de portée des enfants les piles ou tout autre élément qui pourrait être avalé. Veuillez appeler immédiatement un docteur si un élément est avalé.

4. VIDANGE DE L'EAU EN SURPLUS(Fig. F)

1. Veuillez vidanger l'eau en surplus dans le réservoir en plaçant une casserole sous la sortie de vidange de l'eau. (Fig. B7)
2. Veuillez ôter le bouchon de vidange et laisser l'eau s'écouler dans la casserole.
3. Lorsque l'eau cesse de couler, veuillez replacer le bouchon de vidange.
4. Enlevez la casserole d'eau.
5. Faites fonctionner le dispositif en mode "FAN" afin de faire sécher l'intérieur du dispositif.
NOTE : Veuillez vidanger l'eau du réservoir une fois par semaine.

5. NETTOYAGE NETTOYAGE DU FILTRE A AIR**NETTOYAGE DE LA GRILLE DE PRISE D'AIR (Fig. G)**

Nettoyez le filtre à air (A2) une fois tous les quinze jours. Le colmatage du filtre à air entraîne une baisse des performances de l'appareil.

1. Veuillez nettoyer la grille de prise d'air (B8) une fois toutes les deux semaines.
2. Pour ôter la grille de prise d'air (B8), veuillez la tirer.
3. Enlevez la poussière avec un aspirateur.

▲ MISE EN GARDE

- NE touchez PAS l'évaporateur, vous pourriez vous blesser ou l'endommager.

ATTENTION :

- Veuillez NE PAS rincer le filtre au charbon avec de l'eau.

NETTOYAGE DE L'EXTERIEUR DE L'APPAREIL

Nettoyez la surface extérieure de l'appareil avec un chiffon doux, légèrement mouillé.

⚠ PRECAUTION

- N'utilisez JAMAIS d'essence, de solvant, de produits chimiques ni de poudre à récurer car ces produits pourraient endommager la surface de l'appareil.

6. ENTREPOSAGE DE LONGUE DUREE

A la fin de la saison chaude ou lorsque vous ne comptez pas utiliser le dispositif pendant une longue période, nous vous recommandons de suivre la procédure qui suit.

1. Faites marcher l'appareil durant 5 ou 6 heures en mode de ventilation "FAN" (C8) afin de bien sécher l'intérieur.
2. Videz le réservoir de condensat et débranchez l'appareil.
3. Nettoyez l'appareil.
Nettoyez l'appareil avec un chiffon doux humide et/ou un aspirateur, puis essuyez-le de nouveau avec un chiffon sec.
4. Nettoyez la grille de prise d'air (B8) et remettez-le en place.
5. Rangez l'appareil.

Le mieux est de ranger l'appareil dans son carton d'origine. Si vous n'avez plus ce carton, recouvrez l'appareil d'un grand sac en plastique et rangez-le dans un endroit frais et sec.

7. TRANSPORT

Il est préférable de transporter l'appareil en position verticale. Lorsque cela est impossible, couchez-le sur son côté droit et, une fois arrivé à destination, remettez l'appareil en position verticale et attendez au moins 10 minutes avant de le mettre en marche. Avant de déplacer ou de transporter l'appareil, vérifiez que le réservoir de condensat est vide.

8. DEPISTAGE DES PANNES

SYMPTOMES	CAUSES	SOLUTIONS
Le dispositif ne fonctionne pas.	-Il n'est pas allumé. -La prise n'a pas été branchée correctement -L'indicateur de réservoir plein est allumé. Le réservoir est plein.	-Attendez que l'alimentation soit à nouveau effectuée -Effectuez à nouveau le branchement -Retirez l'eau de vidange du réservoir de vidange.
Le dispositif s'éteint brusquement en cours de fonctionnement.	-La température à l'intérieur de la pièce a atteint le niveau de température réglé. -Le temps réglé est parvenu à son terme. -L'indicateur de réservoir plein est allumé. Le réservoir est plein.	-Réinitialisez le niveau de température. -Réinitialisez la minuterie. -Retirez l'eau de vidange du réservoir de vidange.
Le dispositif fonctionne de façon intermittente.	-Dysfonctionnement. -La température ambiante est trop haute ou trop basse. -Le tuyau de la gaine d'évacuation d'air est obstrué.	-Contactez votre revendeur. -Vérifiez l'état de gaine d'évacuation d'air.
Le dispositif fonctionne mais la pièce n'est pas refroidie.	-Une fenêtre ou la porte de la pièce est restée ouverte. -Il y a une source de chaleur dans la pièce ou un trop grand nombre de personnes. -La grille de prise d'air est obstruée. -Le filtre est trop sale. -La température réglée est trop haute.	-Fermez toute les fenêtre et la porte. -Supprimez de la pièce toutes les sources de chaleur. -Nettoyez la grille de prise d'air. -Remplacez le filtre. -Baisser la température réglée.
De l'eau condensée se répand lorsque le dispositif est déplacé.	-Le réservoir est presque plein.	-Retirez le bouchon de vidange en bas derrière le dispositif, videz l'eau et le dispositif fonctionnera automatiquement.

AVANT DE FAIRE APPEL AU SERVICE DE MAINTENANCE

Les conditions suivantes n'indiquent pas des défauts.

Un bruit de sifflement ou un son creux :	⇒ Ce bruit provient du liquide de refroidissement s'écoulant dans les conduites.
Un bruit de grincement :	⇒ Ce bruit provient de l'unité lors de dilatation ou de contraction avec les changements de température.
Odeur :	⇒ Des substances telles que du tabac, des produits cosmétiques ou des produits alimentaires peuvent s'accumuler dans l'unité.
L'unité ne démarre pas ou ne change pas de mode de fonctionnement immédiatement :	⇒ Pour empêcher toute surcharge du moteur du compresseur, interrompre le fonctionnement de l'unité pendant plus de 3 minutes.

9. FICHE TECHNIQUE

MODELE	TAD-30F
CAPACITE DE REFROIDISSEMENT	10.000 BTU/H
CAPACITE DE DESHUMIDIFICATION	0,48 gal/h (1,8 L/H)
SOURCE D'ALIMENTATION	Monophasé 115V, 60Hz
CONSOMMATION ELECTRIQUE	950W
COURANT DE FONCTIONNEMENT	9,0A
FLUX D'AIR (MAX.)	188 CFM (320 m³/h)
CHAMP DE TEMP. DE FONCTIONNEMENT	64°F~95°F (18°C~35°C)
DIMENSIONS (larg. x prof. x haut.)	18-5/8" x 34-1/4" x 13-9/16" (472 x 869 x 345 mm)
POIDS	79 Lbs. (36 kg)
COMPRESSEUR	ROTARY
FLUIDE FRIGORIGENE	R-22

REMARQUE: La capacité de refroidissement d'air varie en fonction de la température et de l'humidité ambiantes.

10. ACCESSOIRES

Si le dispositif est destiné à une utilisation à un endroit unique, il est possible d'accroître son efficacité en utilisant les accessoires suivants du kit de ventilation.

GAINE D'EVACUATION (TUYAU FLEXIBLE) (Fig. I)
Max 5 ft. (1,5 m)

KIT FENETRES (Fig. J)
Pour fenêtres coulissantes et à guillotine
Max. 37 in. (94 cm)
Min. 28-1/4 in. (72 cm)

UTILISATION DE LA GAINE D'EVACUATION (Fig. I)

1. Veuillez insérer l'extrémité du tuyau de la gaine d'évacuation (tuyau flexible) (I3) dans le connecteur de la gaine d'évacuation (I1) par un mouvement dans le sens inverse des aiguilles d'une montre à l'intérieur du tube puis effectuer la fixation à la sortie d'évacuation par un mouvement dans le sens des aiguilles d'une montre jusqu'à son verrouillage.
2. Veuillez insérer l'extrémité du tuyau de la gaine d'évacuation (I3) dans la canule adaptatrice pour le tuyau de la gaine d'évacuation (I2). Tendez le tuyau de la gaine d'évacuation (I3) et fermez la fenêtre ou la porte aussi loin que possible en bloquant la canule adaptatrice pour le tuyau de la gaine d'évacuation (I2).

NOTE : Placez le dispositif aussi près que possible de la fenêtre ou de la porte.

UTILISATION DU KIT PANNEAU FENETRE (Fig. J)

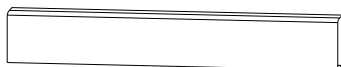
NOTE : Les installations sur fenêtre sont possibles en utilisant l'ensemble gaine d'évacuation et le kit panneau fenêtre.

1. Fixez la grille du tuyau de la gaine d'évacuation (J3) au panneau de la fenêtre avec quatre (4) vis. Assurez-vous que le panneau soit bien étiré afin que les vis ne s'enfoncent pas dans la partie coulissante du panneau.
2. Ouvrez la fenêtre.
3. Placez le panneau de fenêtre sur la fenêtre en l'étirant pour l'adapter à la largeur de la fenêtre. Une fois que le panneau est étiré, il peut être bloqué à cette largeur par le serrage des deux (2) vis sur le panneau supérieur.
4. Fermez la fenêtre.
5. Attachez la canule adaptatrice pour le tuyau de la gaine d'évacuation (I1) sur la grille du tuyau de la gaine d'évacuation (J3).
6. Lorsqu'elle n'est pas utilisée, la canule adaptatrice pour le tuyau de la gaine d'évacuation (I2) doit être fermée avec le couvercle pour grille du tuyau de la gaine d'évacuation (J3) fourni.

ACCESSOIRES EN OPTION

Lorsque vous avez besoin d'un panneau fenêtre plus long, veuillez vous procurer le panneau fenêtre de rallonge "B" et l'utiliser avec le panneau fenêtre "A" d'origine.

Pièce #22740286 PANNEAU FENETRE DE RALLONGE (B) (M)
31-1/2 (80 cm)



Pièce #22740288 PANNEAU FENETRE DE RALLONGE (B) (L)
56" (142 cm)

**GARANTIE LIMITEE**

TOYOTOMI CO., LTD. ("TOYOTOMI") garantit tous ses produits et pièces en vente exempts de défauts matériels ou vices de fabrication dans des conditions d'utilisation normales durant une période de DOUZE (12) MOIS effective à la date de livraison à l'acheteur au détail d'origine suivant les termes ci-après:

CE QUI EST COUVERT : Produit ou ses pièces avec défauts matériels ou vices de fabrication.

CE QUI N'EST PAS COUVERT:

Cette garantie ne couvre pas tout défaut dû à la négligence de tierces personnes: non observation des instructions d'installation (les instructions d'installation et de maintenance sont fournies avec chaque unité) pour l'installation, l'utilisation et la maintenance de l'unité; utilisation incorrecte, accidents, modifications, utilisation de pièces et accessoires non autorisés ou non conformes aux normes TOYOTOMI; mauvais fonctionnement électrique, c'est-à-dire résultant de surtensions importantes, courts-circuits, etc.; installation incorrecte; ou réparations exécutées par un centre de services non agréé par TOYOTOMI.

QUI EST COUVERT : L'acheteur au détail d'origine.

LES MESURES QUE NOUS PRENDRONS: TOYOTOMI effectuera gratuitement les réparations ou le remplacement, selon son jugement, de toutes les pièces défectueuses couvertes par cette garantie limitée, remises à votre agent agréé ou distributeur TOYOTOMI le plus proche.

POUR BENEFICIER DE LA GARANTIE: Vous devez retourner les produits ou pièces défectueux à un agent agréé ou distributeur TOYOTOMI, accompagnés par cette GARANTIE LIMITEE et la copie de la facture ou le reçu du débit de votre carte de crédit, ou tout autre document indiquant la date de livraison des produits. Si un centre de services n'est pas disponible localement, veuillez contacter notre DEPARTEMENT SERVICE CLIENTELE chez:

SHILAC ENTERPRISES INC.
23848 Hawthorne Blvd. (#100)
Torrance CA 09505
(310) 791-2855

TOYOTOMI U.S.A., INC.
604 Federal Road, Brookfield, CT 06804
(203)775-1909

SONT INDIQUEES CI-DESSUS TOUTES LES OBLIGATIONS ET RESPONSABILITES DE TOYOTOMI SE RAPPORTANT A LA QUALITE DES PRODUITS FOURNIS. TOUTES AUTRES GARANTIES, EXPRESSES OU IMPLICITES, INCLUANT LES GARANTIES RELATIVES A LA COMMERCIALISATION OU L'APPLICATION POUR DES BUTS PARTICULIERS SONT EXCLUES. TOYOTOMI NE PEUT ETRE TENU RESPONSABLE DE TOUT CAS D'INUTILISATION DU PRODUIT, PROBLEMES OU AUTRES DOMMAGES, DIRECTS OU INDIRECTS, RESULTANT DE L'UTILISATION OU L'UTILISATION INCORRECTE DES PRODUITS, OU ATTRIBUABLES A DES DEFAUTS DE PRODUITS.

TOYOTOMI se réserve le droit exclusif de proroger ou de modifier les termes de la Garantie Illimitée à sa discrétion.

Certains états n'acceptent pas l'exclusion ou la limitation de dommages directs ou indirects, ou la limitation de la durée de la garantie offerte. Pour cette raison, il se peut que ces limitations ou exclusions ne vous soient pas applicables. Cette Garantie Limitée vous confère des droits juridiques spécifiques et vous pouvez aussi exercer d'autres droits qui varient d'état à état.

TOYOTOMI CO., LTD.

5-17, Momozono-cho, Mizuho-ku,
Nagoya, 467-0855 Japan

New 2/05
Part No. 22740295

Printed in China